

1
2
3
4
5
6
7
8
9



QIBA Profile: Small Lung Nodule Volume Assessment and Monitoring in Low Dose CT Screening

Stage 3: Technically Confirmed

When referencing this document, please use the following format:

CT Volumetry Technical Committee. Small Lung Nodule Assessment in CT Screening Profile - 2018, Quantitative Imaging Biomarkers Alliance. Publicly Reviewed Draft. QIBA.

Table of Contents

10		
11	Change Log.....	3
12	Open Issues:.....	4
13	Closed Issues:.....	4
14	1. Executive Summary	6
15	2. Clinical Context and Claims	7
16	3. Profile Activities.....	11
17	3.1. Product Validation	14
18	3.2. Staff Qualification	15
19	3.3. Equipment Quality Assurance	16
20	3.4. Protocol Design.....	17
21	3.5. Subject Selection	19
22	3.6. Subject Handling.....	20
23	3.7. Image Data Acquisition	22
24	3.8. Image Data Reconstruction	25
25	3.9. Image Quality Assurance.....	27
26	3.10. Image Analysis	28
27	4. Conformance	30
28	4.1. Technical Evaluation Methods	30
29	4.2. Equipment Vendor Conformance Procedures	34
30	4.3. Clinical Site Conformance Checklist.....	38
31	References	41
32	Appendices.....	44
33	Appendix A: Acknowledgements and Attributions	44
34	Appendix B: Background Information	46
35	B.1 Summary of selected references on nodule volumetry accuracy.....	46
36	B.2 Summary of selected references on nodule volumetry precision	46
37	Appendix C: Metrology Methods	47
38		

39 **Change Log**

40 This table is a best-effort of the authors to summarize significant changes to the Profile.

41

Date	Sections Affected	Summary of Change
2018.11.18	Section 3 & 4	Added requirement that nodule software is verified on a small dataset for a clinical site to achieve conformance. We would like to remove this requirement in the future when nodule analysis software vendors achieve Profile compliance allowing clinical sites to verify that their software vendor demonstrated Profile compliance for their software name and version number.
2018.10.20	Sections 3 & 4	Definition of significant attachment was added to Section 3.9.2 and changes were made to Section 4.3 to make the Clinical Conformance Procedure into a Clinical Conformance Checklist table similar to other QIBA Profiles. In addition, fixed an error in the DOE section.
2018.07.19	Section 3	Clarified that measurement out to 175.0 mm is achieved with measurement of reference objects positioned at 0, 100, and 200 mm and interpolated at 160.0 mm because the width of the reference object is 56.0 mm.
2018.06.14	Section 3	Added a description for how to calculate the Resolution Aspect Ratio. Changed the furthest location from iso-center that we measure CT image quality characteristics to 175.0 mm since human lungs rarely exceed this distance. Removed the pitch ≤ 2.0 requirement as the six image quality metrics will address any problems introduced by a large pitch. Added the ability to demonstrate conformance using two phantom scans to support scanner modes with small FOV. In this case a site would need to provide a second acquisition protocol that would support scanning a large patient and both protocols would need to demonstrate conformance.
2017.11.15	All	Made final set of changes outlined in the 2017.11.15 SLN Profile comments and resolutions spreadsheet. All listed Open Issues have been addressed and moved to the Closed Issues Section.
2017.11.13	Sections 2 and 4	Statistical wording changes provided by Nancy Obuchowski.
2017.08.24	Section 4	Modifications made to indicate that compliance with the profile can be performed with any QIBA-approved phantom or analysis methods.
2015.08.24	Change Log	A "Change Log" section was added to the document immediately before the Executive Summary which includes an "Open Issues" area and a "Closed Issues" area.

42

43

44

45 **Open Issues:**

46 The following issues are provided here to capture associated discussion, to focus the attention of reviewers
47 on topics needing feedback, and to track them so they are ultimately resolved. In particular, comments on
48 these issues are highly encouraged during the Public Comment stage.

49

50 **Closed Issues:**

51 The following issues have been considered closed by the biomarker committee. They are provided here to
52 forestall discussion of issues that have already been raised and resolved, and to provide a record of the
53 rationale behind the resolution.

Q. PSF is one approach to expressing resolution in a CT image, but there are other approaches that are also used in the CT medical physics community (e.g. MTF50). Can this Profile support both representations?

A. The current version of the profile mainly provides resolution values in PSF units. However, two equations and a reference are also provided for converting between a PSF representation and an MTF50 representation. Future versions of this Profile can provide specifications in both a PSF representation and an MTF50 representation in more places within the Profile.

Q. The use of four materials (Air, Acrylic, Delrin, and Teflon) to measure HU bias and noise appears to be more than necessary to determine the performance of a scanner and protocol for supporting CT lung nodule measurements. Can this Profile safely eliminate some of these additional material measurements?

A. It is agreed that less than four phantom materials are needed to understand the impact of HU bias on volumetric solid lung nodule performance. The main two materials are Air and Acrylic. This is because the measurement of a solid lung nodule is primarily determined by a nodule surface intensity gradient that transitions from background lung parenchyma (consisting mainly of Air) to nodule tissue (approximately water HU which is close to Acrylic HU attenuation). Thus, a large HU bias in these two materials has the potential to impact volumetric lung nodule measurement performance. The Profile has been modified to place limits on HU bias only in Air and Acrylic materials and further modified to place noise limits only measured in an Acrylic material. However, it should be noted that the measurement of large amounts of bias and noise within additional materials has the potential to identify image acquisition and reconstruction artifacts that can impact lung nodule volume measurements. The issue of the optimal set of materials to measure HU bias and noise will be revisited in future Profile versions after the collection of more data using the currently proposed phantom, and other QIBA-approved phantoms.

Q. The performance of this Profile for different scanners, reconstruction algorithms, and lesion shapes needs further supporting data and study. Can this Profile perform additional studies to verify that the proposed methods will perform within specifications under varying conditions?

A. Yes. Additional data collection and studies will be performed with the proposed phantom, and other QIBA-approved phantoms, that will provide data with which to make evidence-based adjustments to this Profile.

Q. The Profile places limits on edge enhancement and spatial warping. Are these metrics necessary for establishing solid lung nodule measurement performance?

A. Spatial warping for some scanners that are permitted by this Profile can significantly increase the variance of volumetric change measurements of solid lung nodules, as has been published in Henschke, et al., JMI 2016 (<https://www.ncbi.nlm.nih.gov/pubmed/27660808>). Edge enhancing recon kernels are known to non-isotropically bias gradient edges making nodule segmentation more challenging for multiple critical components of commonly used segmentation algorithms. In addition, edge enhancement biases the estimation of CT scanner inherent resolution, which strongly impacts solid nodule measurement performance and makes measurement performance orientation dependent. Nevertheless, it is possible that the current requirements are more stringent than necessary. The specifications currently set for these Profile requirements will be further evaluated after additional data has been acquired with the proposed phantom, and other QIBA-approved phantoms. In addition, improved descriptions of measurement methods, including figures, will be added to the Profile.

Q. Is this template open to further revisions?

A. Yes.

This is an iterative process by nature.

Submit issues and new suggestions/ideas to the QIBA Process Cmte.

54

55

56 1. Executive Summary

57 The goal of a QIBA Profile is to help achieve a useful level of performance for a given biomarker.

58 The **Claim** (Section 2) describes the biomarker performance.

59 The **Profile Activities** (Section 3) contribute to generating the biomarker. Requirements are placed on the
60 **Actors** that participate in those activities as necessary to achieve the Claim.

61 **Assessment Procedures** (Section 4) defines the technical methods to be used for evaluating conformance
62 with profile requirements. This includes the steps needed for clinical sites and equipment vendors to be
63 compliant with the Profile.

64 This QIBA Profile (Small Lung Nodule Volume Assessment and Monitoring in Low Dose CT Screening)
65 addresses the accuracy and precision of quantitative CT volumetry as applied to solid lung nodules of 6-10
66 mm diameter. It places requirements on Acquisition Devices, Technologists, Radiologists and Image
67 Analysis Tools involved in activities including Periodic Equipment Quality Assurance, Subject Selection,
68 Subject Handling, Image Data Acquisition, Image Data Reconstruction, Image Quality Assurance, and Image
69 Analysis.

70 The requirements are focused on achieving sufficient accuracy and avoiding unnecessary variability of the
71 lung nodule volume measurement.

72 Two sets of claims are provided within this Profile. The first claim establishes 95% confidence intervals for
73 volumetric measurement of solid lung nodules for each different millimeter in diameter from 6-10 mm as
74 this is the size range for baseline measurements.

75 The second claim provides guidance on the amount of volumetric change percentage needed for an
76 observer to have 95% confidence that the nodule has exhibited true change. In addition, the second claim
77 also provides guidance on the 95% confidence interval for a volumetric size change measurement, again
78 based on the size of the nodule at two time points.

79 This document is intended to help clinicians reliably measure pulmonary nodule volume as an imaging
80 biomarker, imaging staff generating this biomarker, vendor staff developing related products, purchasers of
81 such products and investigators designing trials with imaging endpoints.

82 Note that this Profile document only states requirements to achieve the claim, not “requirements on
83 standard of care.” Further, meeting the goals of this Profile is secondary to properly caring for the patient.

84 This Profile document includes a conformance test that can be performed with a precision engineered
85 phantom designed to test the fundamental imaging performance characteristics of the CT scanner to be
86 used at a clinical site. The steps to perform the conformance test are described in the Profile and can
87 determine if the site scanner is functioning at a level that would be capable of measuring with accuracy
88 sufficient to meet the requirements of the Profile claim.

89 QIBA Profiles addressing other imaging biomarkers using CT, MRI, PET and Ultrasound can be found at
90 qibawiki.rsna.org.

91

2. Clinical Context and Claims

Clinical Context

The clinical context of this Profile is the quantification of volumes and volume changes over time of solid lung nodules with a longest diameter between 6 mm and 10 mm. Nodules with diameter ≥ 10 mm (volume ≥ 524 mm³) are the subject of the document “QIBA Profile: CT Tumor Volume Change (CTV-1)”.

Conformance with this Profile by all relevant staff and equipment supports the following claims

Claim 1: Nodule Volume

For a measured nodule volume of Y , and a Coefficient of Variation (CV) as specified in table 1, the 95% confidence interval for the true nodule volume is $Y \pm (1.96 \times Y \times CV)$.

Claim 2: Nodule Volume Change

(a) A measured nodule volume percentage change of X indicates that a true change in nodule volume has occurred if $X > (2.77 \times CV1 \times 100)$, with 95% confidence.

(b) If Y_1 and Y_2 are the volume measurements at the two time points, and $CV1$ and $CV2$ are the corresponding values from Table 1, then the 95% confidence interval for the nodule volume change $Z = (Y_2 - Y_1) \pm 1.96 \times \sqrt{([Y_1 \times CV1]^2 + [Y_2 \times CV2]^2)}$.

These Claims hold when:

- the nodule is completely solid
- the nodule longest dimension in the transverse (axial) plane is between 6 mm (volume 113 mm³) and 10 mm (volume 905 mm³) at the first time point
- the nodule’s shortest diameter in any dimension is at least 60% of the nodule’s longest diameter in any dimension (i.e., the nodule shape does not deviate excessively from spherical)
- the nodule is measurable at both time points (i.e., margins are distinct from surrounding structures of similar attenuation and geometrically simple enough to be segmented using automated software without manual editing)
- Interpolation is used to arrive at CV values between provided table values.

Table 1. Coefficients of Variation (CV)

Nodule Diameter (mm)	Nodule Volume (mm ³)	Coefficient of Variation (CV)	True Volume 95% CI Limits (mm ³)	Minimum Detectable Difference (from Claim 2a)
6 mm	113	0.29	± 64	80.3%
7 mm	154	0.23	± 69	63.7%
8 mm	268	0.19	± 100	52.6%
9 mm	382	0.16	± 120	44.3%
10 mm	524	0.14	± 144	38.8%

11 mm	697	0.12	± 164	33.2%
12 mm	905	0.11	± 195	30.5%

121 Discussion

122 Low dose CT provides an effective means of detecting and monitoring pulmonary nodules, and can lead to
 123 increased survival (1) and reduced mortality (2) in individuals at high risk for lung cancer. Size quantification
 124 on serial imaging is helpful in evaluating whether a pulmonary nodule is benign or malignant. Currently,
 125 pulmonary nodule measurements most commonly are obtained as the average of two perpendicular
 126 dimensions on axial slices. Investigators have suggested that automated quantification of whole nodule
 127 volume could solve some of the limitations of manual diameter measurements (3-9), and many studies
 128 have explored the accuracy in phantoms (10-18) and the in vivo precision (19-25) of volumetric CT
 129 methods. This document proposes standardized methods for performing repeatable volume measurements
 130 on CT images of solid pulmonary nodules obtained using a reduced radiation dose in the setting of lung
 131 cancer screening and nodule follow-up in the interval between scans.

132 Lung cancer CT screening presents the challenge of developing a protocol that balances the benefit of
 133 detecting and accurately characterizing lung nodules against the potential risk of radiation exposure in this
 134 asymptomatic population of persons who may undergo annual screening for more than two decades. Our
 135 understanding of the extent to which performing scans at the lowest dose possible with the associated
 136 increase in noise affects our ability to accurately measure these small nodules is still evolving. Therefore,
 137 any protocol will involve a compromise between these competing needs.

138 This QIBA Profile makes Claims about the confidence with which lung nodule volume and changes in lung
 139 nodule volume can be measured under a set of defined image acquisition, processing, and analysis
 140 conditions, and provides specifications that may be adopted by users and equipment developers to meet
 141 targeted levels of clinical performance in identified settings. The intended audiences of this document
 142 include healthcare professionals and all other stakeholders invested in lung cancer screening, including but
 143 not limited to:

- 144 • Radiologists, technologists, and physicists designing protocols for CT screening
- 145 • Radiologists, technologists, physicists, and administrators at healthcare institutions considering
- 146 specifications for procuring new CT equipment
- 147 • Technical staff of software and device manufacturers who create products for this purpose
- 148 • Biopharmaceutical companies
- 149 • Clinicians engaged in screening process
- 150 • Clinical trialists
- 151 • Radiologists and other health care providers making quantitative measurements on CT images
- 152 • Oncologists, regulators, professional societies, and others making decisions based on quantitative
- 153 image measurements
- 154 • Radiologists, health care providers, administrators and government officials developing and
- 155 implementing policies for lung cancer screening

156 Note that specifications stated as “requirements” in this document are only requirements to achieve the
 157 Claim, not “requirements on standard of care.” Specifically, meeting the goals of this Profile is secondary to
 158 properly caring for the patient.

This Profile is relevant to asymptomatic persons participating in a CT screening and surveillance program for lung cancer. In theory, the activities covered in this Profile also pertain to patients with known or incidentally-detected solid pulmonary nodules in the 6-10 mm diameter range, though surveillance in this or other settings is not specifically addressed by this Profile.

Clinical Interpretation for Claim 1 (nodule volume)

The true size of a nodule is defined by the measured volume and the 95% confidence intervals. The confidence intervals can be thought of as “error bars” or “uncertainty” or “noise” around the measurement, and the true volume of the nodule is somewhere within the confidence intervals. Application of these Claims to clinical practice is illustrated by the following examples:

Example 1: A nodule is measured as having a volume of 150 mm^3 (6.6 mm diameter). There is a 95% confidence that the true volume of the nodule is between 65 mm^3 [$150 - (150 \times 1.96 \times 0.29)$] (5.0 mm diameter) and 235 mm^3 [$150 + (150 \times 1.96 \times 0.29)$] (7.7 mm diameter).

Example 2: A nodule is measured as having a volume of 500 mm^3 (9.8 mm diameter). There is a 95% confidence that the true volume of the nodule is between 343 mm^3 [$500 - (500 \times 1.96 \times 0.16)$] (8.7 mm diameter) and 657 mm^3 [$500 + (500 \times 1.96 \times 0.16)$] (10.8 mm diameter).

Example 3: A nodule is measured as having a volume of 800 mm^3 (11.5 mm diameter). There is a 95% confidence that the true volume of the nodule is between 612 mm^3 [$800 - (800 \times 1.96 \times 0.12)$] (10.5 mm diameter) and 988 mm^3 [$800 + (800 \times 1.96 \times 0.12)$] (12.4 mm diameter).

If the activities specified in this Profile are followed, the measured volume of nodules in each of the given size ranges can be considered accurate to within the given 95% confidence limits. The different coefficients of variation of the different nodule size ranges in Claim 1 reflect the increasing variability introduced as the resolution limits of the measuring device are approached, and the likely impact of variations permitted by the Specifications of this Profile.

The guidance provided here represents an estimate of minimum measurement error when conforming to the Profile over a wide range of scanner models. However, these estimates can be reduced substantially when using more advanced scanning equipment with improved performance characteristics.

These Claims have been informed by clinical trial data, theoretical analysis, simulations, review of the literature, and expert consensus. They have not yet been fully substantiated by studies that strictly conform to the specifications given here. The expectation is that during implementation in the clinical setting, data on the actual performance will be collected and any appropriate changes made to the Claim or the details of the Profile. At that point, this caveat may be removed or re-stated.

Clinical Interpretation for Claim 2 (nodule volume change)

The precision value in the Claim statement is the change necessary to be 95% certain that there has really been a change. If a tumor changes size beyond these limits, you can be 95% confident there has been a true change in the size of the tumor, and the perceived change is not just measurement variability. Note that this does not address the biological significance of the change, just the likelihood that the measured change is real.

Application of these Claims to clinical practice is illustrated by the following examples:

Example 1: A nodule measuring 524 mm³ at baseline (10.0 mm diameter) measures 917 mm³ (12.0 mm diameter) at follow-up, for a measured volume change of +393 mm³ (or a 75% increase in volume) [i.e. (917-524)/524 x 100 = 75%]. For this 10 mm nodule at baseline, we apply the CV from the fifth row of Table 1: since 75% > 39% [i.e. 75% > 2.77 x 0.14 x 100], we are 95% confident that the measured change represents a real change in nodule volume. To quantify the magnitude of the change, we construct the 95% confidence for the true change. The 95% confidence interval for the true change is (917-524) ± 1.96 x √([0.14 x 524]² + [0.11 x 917]²), which equals 393 ± 244. The 95% CI for the change in volume is thus [149 mm³ – 637 mm³]. This means that the nodule at time point 2 is between 149 and 637 mm³ larger than at baseline.

Example 2: A nodule measuring 180 mm³ at baseline (7.0 mm diameter) measures 270 mm³ (8.0 mm diameter) at follow-up, for a measured volume change of 90 mm³, or +50% [i.e. (270-180)/180 x 100 = 50%]. Since this was a 7 mm nodule at baseline, we apply the CV from the second row of the table: since 50% < 80% [i.e. 50% < 2.77 x 0.23 x 100]; we cannot be confident that this measured change represents a real change in the tumor volume.

If the activities specified in this Profile are followed, the measured change in volume of nodules in each of the given size ranges can be considered accurate to within the given 95% confidence limits. The different coefficients of variation of the different nodule size ranges in Claim 1 reflect the increasing variability introduced as the resolution limits of the measuring device are approached, and the likely impact of variations permitted by the Specifications of this Profile.

These Claims represent the repeatability coefficient ($RC = 1.96 \times \sqrt{2} \times wCV$) for nodules in each size range. The Claims have been informed by clinical trial data, theoretical analysis, simulations, review of the literature, and expert consensus. They have not yet been fully substantiated by studies that strictly conform to the specifications given here. The expectation is that during implementation in the clinical setting, data on the actual performance will be collected and any appropriate changes made to the Claim or the details of the Profile. At that point, this caveat may be removed or re-stated.

Claim 2 assumes the same compliant actors (acquisition device, radiologist, image analysis tool, etc.) at the two time points. If one or more of the actors are different, it is expected that the measurement performance will be reduced.

A web based calculator for computing the equations in the Claims is available at <https://accumetra.com/qiba-nodule-profile-calculator/>.

3. Profile Activities

The Profile is documented in terms of “Actors” performing “Activities”. Equipment, software, staff, or sites may claim conformance to this Profile as one or more of the “Actors” in the following table.

Conformant Actors shall support the listed Activities by demonstrating conformance to all Requirements in the referenced Section.

Table 3-1: Actors and Required Activities

Actor	Activity	Section
Acquisition Device	Product Validation	3.1
Image Analysis Tool	Product Validation	3.1
Technologist	Staff Qualification	3.2
	Protocol Design	3.4
	Subject Handling	3.6
	Image Data Acquisition	3.7
	Image Data Reconstruction	3.8
	Image Quality Assurance	3.9
Radiologist	Staff Qualification	3.2
	Protocol Design	3.4
	Subject Selection	3.5
	Subject Handling	3.6
Physicist	Equipment Quality Assurance	3.3
	Protocol Design	3.4
	Image Data Acquisition	3.7
Referring Clinician	Subject Selection	3.5
Image Analyst	Staff Qualification	3.2
	Image Data Acquisition	3.7
	Image Quality Assurance	3.9

	Image Analysis	3.10
--	----------------	------

239

240 Formal **claims of conformance** by the organization responsible for an Actor shall be in the form of a
241 published **QIBA Conformance Statement**. Manufacturers publishing a QIBA Conformance Statement shall
242 provide a set of “Model-specific Parameters” describing how their product was configured to achieve
243 conformance.

244 The Specifications and Assessment Procedures described in Sections 3 & 4 of this Profile reflect those
245 expected in standard clinical CT practice, including the settings in which the data that support the Claims of
246 this Profile were acquired. There is potential to specify more rigorous assessment procedures for both CT
247 equipment and analysis tool software that justify a reduction in the measurement variance found in the
248 current Claims. Through continued investigation of technical sources of variance, and quantitative
249 characterization of the improvements in accuracy and precision that can be achieved by further refining the
250 Specifications of this Profile, it is anticipated that future versions of this Profile will contain both improved
251 Claims and more specific Assessment Procedures relevant to quantitative imaging.

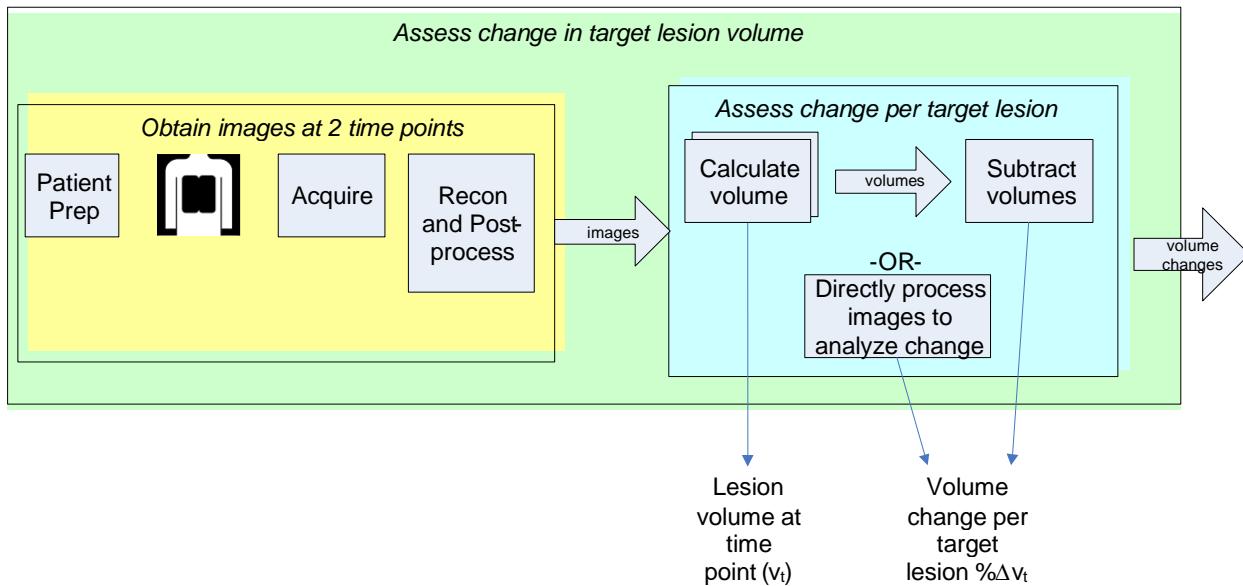
252 The requirements in this Profile do not codify a Standard of Care; they only provide guidance intended to
253 achieve the stated Claims. Failing to comply with a “shall” in this Profile is a protocol deviation. Although
254 deviations invalidate the Profile Claims, such deviations may be reasonable and unavoidable and the
255 radiologist or supervising physician is expected to do so when required by the best interest of the patient or
256 research subject. How study sponsors and others decide to handle deviations for their own purposes is
257 entirely up to them.

258 For the Acquisition Device and Image Analysis Tool actors, while it will typically be the manufacturer who
259 claims the actor is conformant, it is certainly possible for a site to run the necessary tests/checks to confirm

260 conformance and make a corresponding claim. This might happen if a manufacturer is no longer promoting
 261 an older model device but a site needs a conformance statement to participate in a clinical trial.

262 The Physicist actor is the preferred person at the site responsible for managing the equipment performance
 263 related specifications. At some sites this will be a staff physicist, and at other sites it may be a person who
 264 manages a contractor or a service provided by a vendor.

265 The sequencing of the Activities specified in this Profile is shown in Figure 1:



266

267

Figure 1: CT Tumor Volumetry - Activity Sequence

268 The method for measuring change in tumor volume may be described as a multistage process. Subjects are
 269 prepared for scanning, raw image data is acquired, images are reconstructed and possibly post-processed.
 270 Such images are obtained at one or more time points. Image analysis assesses the degree of change
 271 between two time points for each evaluable target nodule by calculating absolute volume at each time
 272 point and subtracting. When expressed as a percentage, volume change is the difference in volume
 273 between the two time points divided by the volume at time point 1. Although this introduces some
 274 asymmetry (volume measurements of 50cm^3 and 100cm^3 represent either a 100% increase or a 50%
 275 decrease depending on which was measured first), it is more familiar to clinicians than using the average of
 276 the two timepoints as the denominator.

277 The change may be interpreted according to a variety of different response criteria. These response criteria
 278 are beyond the scope of this document. Detection and classification of nodules are also beyond the scope
 279 of this document.

280 The Profile does not intend to discourage innovation, although it strives to ensure that methods permitted
 281 by the profile requirements will result in performance that meets the Profile Claim. The above pipeline
 282 provides a reference model. Algorithms which achieve the same result as the reference model but use
 283 different methods may be permitted, for example by directly measuring the change between two image
 284 sets rather than measuring the absolute volumes separately. Developers of such algorithms are
 285 encouraged to work with the appropriate QIBA committee to conduct any groundwork and assessment

286 procedure revisions needed to demonstrate the requisite performance.

287 The requirements included herein are intended to establish a baseline level of capabilities. Providing higher
288 performance or advanced capabilities is both allowed and encouraged. The Profile does not intend to limit
289 how equipment suppliers meet these requirements.

290 3.1. Product Validation

291 This activity involves evaluating the product Actors (Acquisition Device and Image Analysis Tool) prior to
292 their use in the Profile (e.g. at the factory). It includes validations and performance assessments that are
293 necessary to reliably meet the Profile Claim.

294 3.1.1 Discussion

295 Performance measurements of specific protocols are not addressed here. Those are included in section
296 3.4.2.

297 The **Number of Detector Rows** can influence the scan duration, z-axis resolution, and radiation dose. A
298 primary consideration leading to the requirement that CT scanners have a minimum of 16 detector rows is
299 the desire for the **Scan Duration** to be no greater than the time for imaging the entire length of the lungs in
300 a single breath-hold, to minimize motion artifacts, at a pitch that provides adequate z-axis resolution.
301 Scanners with fewer than 16 detectors and pitch high enough to allow the entire lung to be scanned in a
302 single breath hold may result in Z-axis resolution that is inadequate for nodule volumetry in some patients
303 (26). Published investigations have demonstrated the accuracy of CT nodule volumetry meeting the Claims
304 of this Profile using 16-detector scanners.

305 3.1.2 Specification

Parameter	Actor	Requirement
Acquisition Protocol	Acquisition Device	Shall be capable of storing protocols and performing scans with all the parameters set as specified in section 3.4.2 "Protocol Design Specification".
	Acquisition Device	Shall prepare a protocol conformant with section 3.4.2 "Protocol Design Specification" and validate that protocol as described in section 3.4.2.
Acquisition Protocol Variation	Acquisition Device	Shall also validate the protocol under varying conditions from each preferred protocol setting using a Design of Experiments (DOE) approach. See section 4.2 Equipment Vendor Procedures for more information on DOE methods.
Number of Detector Rows	Acquisition Device	Shall have 16 or more detector rows.
Image Header	Acquisition Device	Shall record in the DICOM image header the actual values for the tags listed in the DICOM Tag column in section 3.4.2 "Protocol Design Specification".
Reading Paradigm	Image Analysis	Shall present Images from both time points side-by-side for

Parameter	Actor	Requirement
	Tool	comparison.
Change Calculation	Image Analysis Tool	Shall calculate change as the difference in volume between two time points relative to the volume at the earlier time point, expressed in mm ³ units.
Scientific Validation	Image Analysis Tool	Shall have appropriate scientific validation, including the properties of measurement linearity, coefficient of variation, and zero bias.

306

307 **3.2. Staff Qualification**

308 This activity involves evaluating the human Actors (Radiologist, Physicist, and Technologist) prior to their
 309 participation in the Profile. It includes training, qualification or performance assessments that are
 310 necessary to reliably meet the Profile Claim.

311 3.2.1 Discussion

312 These requirements, as with any QIBA Profile requirements, are focused on achieving the Profile Claim.
 313 Evaluating the medical or professional qualifications of participating actors is beyond the scope of this
 314 profile.

315 In clinical practice, it is expected that the **Radiologist** interpreting the examination often will be the **Image**
 316 **Analyst**. In some clinical practice situations, and in the clinical research setting, the image analyst may be a
 317 non-radiologist professional.

318 **Analyst Training** should be at a level appropriate for the setting and the purpose of the measurements, and
 319 may include instruction in topics such as the generation and components of volumetric CT images;
 320 principles of image reconstruction and processing; technical factors influencing quantitative assessment;
 321 relevant CT anatomy; definition of a nodule; and image artifacts.

322 3.2.2 Specification

Parameter	Actor	Specification
ACR Accreditation	Radiologist	Shall fulfill the qualifications required by the American College of Radiology CT Accreditation Program. These include certification by the American Board of Radiology or analogous non-U.S. certifying organization; appropriate licensing; documented oversight, interpretation, and reporting of the required ABR minimum number of CT examinations; and compliance with ABR and licensing board continuing education requirements. See: http://www.acraccreditation.org/modalities/ct
	Technologist	Shall fulfill the qualifications required by the American College of Radiology CT Accreditation Program. These include certification by the American Registry of Radiologic Technologists or analogous non-U.S. certifying organization, appropriate licensing, documented training and experience in performing CT, and compliance with certifying and licensing organization

Parameter	Actor	Specification
		continuing education requirements. See: http://www.acraccreditation.org/modalities/ct
Analyst Training	Image Analyst	Shall undergo documented training in performing CT image volumetric analysis of lung nodules in lung cancer screening by a radiologist having qualifications conforming to the requirements of this profile. Note: if the Image Analyst is a Profile-conformant Radiologist, additional training is not required.

323

324 **3.3. Equipment Quality Assurance**

325 This activity involves quality assurance of the imaging devices that is not directly associated with a specific
 326 subject. It includes calibrations, phantom imaging, performance assessments or validations that are
 327 necessary to reliably meet the Profile Claim.

328 3.3.1 Discussion

329 This activity is focused on ensuring that the acquisition device is aligned/calibrated/functioning normally.
 330 Performance measurements of specific protocols are not addressed here. Those are included in section
 331 3.4.

332 Conformance with this Profile requires adherence of CT equipment to U.S. federal regulations
 333 (21CFR1020.33) or analogous regulations outside of the U.S., CT equipment performance evaluation
 334 procedures of the American College of Radiology CT Accreditation Program
 335 (<http://www.acraccreditation.org/modalities/ct>), and quality control procedures of the scanner
 336 manufacturer. These assessment procedures include a technical performance evaluation of the CT scanner
 337 by a qualified medical physicist at least annually. Parameters evaluated include those critical for
 338 quantitative volumetric assessment of small nodules, such as spatial resolution, section thickness, and table
 339 travel accuracy, as well as dosimetry. Daily quality control must include monitoring of water CT number and
 340 standard deviation and artifacts. In addition, preventive maintenance at appropriate regular intervals must
 341 be conducted and documented by a qualified service engineer.

342 These specifications reflect the clinical and clinical trial settings which produced the data used to support
 343 the Claims of this Profile. Data were obtained from a broad range of CT scanner models having a range of
 344 performance capabilities that is reflected in the size of the confidence bounds of the Claims. Ongoing
 345 research is identifying the key technical parameters determining performance in the lung cancer screening
 346 setting, and establishing metrics that may allow Claims with narrower confidence bounds than are found in
 347 this Profile to be met for certain CT scanners through more specific technical specifications and associated
 348 assessment procedures. Such metrics and assessment procedures more specific to CT volumetry in lung
 349 cancer screening will be addressed in subsequent versions of this Profile.

350 **3.3.2 Specification**

Parameter	Actor	Requirement
Quality Control	Physicist	Shall perform quality control procedures consistent with those generally accepted for routine clinical imaging.
Quality Control	Physicist	Shall adhere to installation and periodic quality control procedures specified by the scanner manufacturer and the American College of Radiology CT Accreditation Program. See http://www.acraccreditation.org/modalities/ct
Maintenance	Physicist	Shall ensure that preventive maintenance at appropriate regular intervals are conducted and documented by a qualified service engineer as recommended by the scanner manufacturer.

351

352 **3.4. Protocol Design**

353 This activity involves designing acquisition and reconstruction protocols for use with the Profile. It includes
 354 constraints on protocol acquisition and reconstruction parameters that are necessary to reliably meet the
 355 Profile Claim.

356 **3.4.1 Discussion**

357 The Profile considers Protocol Design to take place at the imaging site, however sites may choose to make
 358 use of protocols developed elsewhere.

359 The approach of the specifications here is to focus as much as possible on the characteristics of the
 360 resulting dataset, rather than one particular technique for achieving those characteristics. This is intended
 361 to allow as much flexibility as possible for product innovation and reasonable adjustments for patient size
 362 (such as increasing acquisition mAs and reconstruction DFOV for larger patients), while reaching the
 363 performance targets. Again, the technique parameter sets provided by vendors in their Conformance
 364 Statements may be helpful for those looking for more guidance.

365 In CT screening for lung cancer, the choice of scan acquisition parameters is strongly influenced by the
 366 desire to minimize radiation dose. The radiation dose delivered by volumetric CT scanning is indicated by
 367 the volume **CT Dose Index (CTDIvol)**. The CTDIvol should be chosen to provide the lowest radiation dose
 368 that maintains acceptable image quality for detecting pulmonary nodules. Variability in CT nodule
 369 volumetry using low dose techniques is comparable to that of standard dose techniques (14, 17, 18, 27, 28).
 370 As a general guideline, CTDIvol ≤ 3 mGy should provide sufficient image quality for a person of standard size,
 371 defined by the International Commission on Radiation Protection (ICRP) as 5'7"/170 cm and 154 lbs/70 kg.
 372 The CTDIvol should be reduced for smaller individuals and may need to be increased for larger individuals,
 373 but should be kept constant for the same person at all time points. CTDIvol is determined by the interaction
 374 of multiple parameters, including the Tube Potential (kV), Tube Current (mA), tube Rotation Time, and
 375 Pitch. Settings for kV, mA, rotation time, and pitch may be varied as needed to achieve the desired CTDIvol.
 376 Pitch is chosen so as to allow completion of the scan in a single breath hold with adequate spatial
 377 resolution along the subject z-axis.

378 **Automatic Exposure Control** aims to achieve consistent noise levels throughout the lungs by varying the
 379 tube current during scan acquisition. Use of automatic exposure control is expected to have little effect on

380 Profile Claims and is considered optional, though as with other acquisition parameters its use should be
 381 consistent with baseline. This scanner feature may be a useful tool for reducing unnecessary radiation
 382 exposure in certain patients, but it also can increase radiation exposure depending on the target noise
 383 level, patient size and anatomy, and the method employed by the vendor. These factors should be kept in
 384 mind when deciding whether to use automatic exposure control in an individual patient.

385 **Rotation Time** may vary as needed to achieve other settings. Generally, it will be less than or equal to 0.5
 386 seconds.

387 **Nominal Tomographic Section Thickness (T)**, the term preferred by the International Electrotechnical
 388 Commission (IEC), is sometimes also called the Single Collimation Width. Choices depend on the detector
 389 geometry inherent in the particular scanner model. The Nominal Tomographic Section Thickness affects the
 390 spatial resolution along the subject z-axis and the available options for reconstructed section thickness.
 391 Thinner sections that allow reconstruction of smaller voxels are preferable, to reduce partial volume effects
 392 and provide higher accuracy due to greater spatial resolution.

393 **Reconstruction Kernel** is recommended to be a medium smooth to medium sharp kernel that provides the
 394 highest resolution available without edge enhancement.

395 X-ray CT uses ionizing radiation. Exposure to radiation can pose risks; however as the radiation dose is
 396 reduced, image quality can be degraded. It is expected that health care professionals will balance the need
 397 for good image quality with the risks of radiation exposure on a case-by-case basis. It is not within the
 398 scope of this document to describe how these trade-offs should be resolved.

399 3.4.2 Specification

400 **Note:** The Radiologist is responsible for the protocol parameter requirements, although they may choose to
 401 use a protocol provided by the vendor of the acquisition device. The Radiologist is also responsible for
 402 ensuring that protocol validation has taken place (e.g. when it is created or modified), although the
 403 Physicist actor or the Technologist actor may also perform the validation. The role of the Physicist actor
 404 may be played by an in-house medical physicist, a physics consultant or other staff (such as vendor service
 405 or specialists) qualified to perform the validations described.

406

Parameter	Actor	Specification	DICOM Tag
Acquisition Protocol	Radiologist and Technologist	Shall prepare a protocol to meet the specifications in this table. Shall ensure technologists have been trained on the requirements of this profile.	
Nominal Tomographic Section Thickness (T)	Radiologist and Technologist	Shall set the nominal tomographic section thickness to achieve reconstructed slice thickness less than or equal to 1.25mm.	Single Collimation Width (0018,9306)
Reconstruction Protocol	Radiologist and Technologist	Shall prepare a protocol to meet the specifications in this table. Shall ensure technologists have been trained on the requirements of this profile.	

Parameter	Actor	Specification	DICOM Tag
Reconstructed Image Thickness	Radiologist and Technologist	Shall set to less than or equal 1.25mm.	Slice Thickness (0018,0050)
Reconstructed Image Interval	Radiologist and Technologist	Shall set the reconstructed image interval to less than or equal to the Reconstructed Image Thickness (i.e. no gap, may have overlap).	Spacing Between Slices (0018,0088)
Resolution	Radiologist, Technologist, and Physicist	Shall validate that the protocol achieves: <ul style="list-style-type: none"> • A 3D PSF sigma ellipsoid volume of less than or equal to 1.5mm³, and • A Z PSF sigma less than two times larger than the in-plane PSF sigma. See section 4.1. Assessment Procedure: Image Quality	
Edge Enhancement	Radiologist, Technologist, and Physicist	Shall validate that the protocol does not result in edge enhancement exceeding 5%. See section 4.1. Assessment Procedure: Image Quality	
HU Deviation	Radiologist, Technologist, and Physicist	Shall validate that the protocol results in CT HU value deviation of less than 35 HU for Air and Acrylic materials. See section 4.1. Assessment Procedure: Image Quality	
Voxel Noise	Radiologist, Technologist, and Physicist	Shall validate that the protocol achieves a standard deviation that is <= 50 HU for homogeneous Air and Acrylic materials. See section 4.1. Assessment Procedure: Image Quality	
Spatial Warping	Radiologist, Technologist, and Physicist	Shall validate that 3D image acquisition results in Spatial warping of less than 0.3mm Root Mean Square Error (RMSE). See section 4.1. Assessment Procedure: Image Quality	

407

408 3.5. Subject Selection

409 This activity describes criteria and procedures related to the selection of appropriate imaging subjects that
410 are necessary to reliably meet the Profile Claim.

411 3.5.1 Discussion

412 **Pulmonary Symptoms** may signify acute or subacute abnormalities in the lungs that could interfere with or
413 alter pulmonary nodule volume measurements, or prevent full cooperation with breath-holding
414 instructions for scanning. Therefore, subjects should be asymptomatic, or at baseline if symptomatic, with
415 respect to cardiac and pulmonary symptoms. If scanning is necessary to avoid an excessive delay in follow-
416 up of a known nodule or to evaluate new symptoms, and these clinical status conditions cannot be met
417 then measurements may not be of sufficient quality to fulfill the Profile Claims. Chronic abnormalities such

418 as pulmonary fibrosis also may invalidate Profile Claims if they affect nodule volume measurement
 419 accuracy.

420 Recent diagnostic or therapeutic **Medical Procedures** may result in parenchymal lung abnormalities that
 421 increase lung attenuation around a nodule and invalidate the Claims of this Profile. Examples include
 422 bronchoscopy, thoracic surgery, and radiation therapy.

423 Oral contrast administered for unrelated gastrointestinal imaging studies or abdominal CT that remains in
 424 the esophagus, stomach, or bowel may cause artifacts in certain areas of the lungs that interfere with
 425 quantitative nodule assessment. If artifacts due to oral contrast are present in the same transverse planes
 426 as a quantifiable lung nodule, the Profile Claims may not be valid.

427 3.5.2 SPECIFICATION

Parameter	Actor	Requirement
Medical Procedures	Referring clinician	Shall schedule scanning prior to or at an appropriate time following procedures that could alter the attenuation of the lung nodule or surrounding lung tissue.
	Radiologist	
Pulmonary Symptoms	Referring clinician	Shall delay scanning for a time period that allows resolution of potential reversible CT abnormalities if pulmonary symptoms are present.
	Radiologist	

428

429 **3.6. Subject Handling**

430 This activity involves handling each imaging subject at each time point. It includes subject handling details
 431 that are necessary to reliably meet the Profile Claim.

432 3.6.1 DISCUSSION

433 This Profile will refer primarily to “subjects”, keeping in mind that the requirements and recommendations
 434 apply to patients in general, and subjects are often patients too.

435 Subject handling guidelines are intended to reduce the likelihood that lung nodules will be obscured by
 436 surrounding disease or image artifacts, which could alter quantitative measurements, and to promote
 437 consistency of image quality on serial scans.

438 **Intravenous Contrast** is not used for CT lung cancer screening (29). Because of the inherently high contrast
 439 between lung nodules and the surrounding parenchyma, contrast is unnecessary for nodule detection and
 440 quantification. Its use incurs additional cost, the potential for renal toxicity and adverse reactions, and may
 441 affect volume quantification (30, 31). If contrast must be used for a specific clinical indication (e.g. for
 442 characterization of the nodule, hilar nodes, or another abnormality) the Profile Claims are invalidated.

443 After obtaining the localizer (scout) image, the technologist should evaluate the image for **Artifact Sources**
 444 such as external metallic objects that may produce artifacts that may alter the attenuation of lung nodules,
 445 and work with the subject to remove these devices. Internal metallic objects, such as pacemakers and

446 spinal instrumentation, also may produce artifacts.

447 Bismuth breast shields (used by some to reduce radiation exposure in the diagnostic CT setting) increase
448 image noise. The impact of this imaging artifact on lung nodule volume quantification is unknown, but is
449 likely to be magnified in the lung cancer screening setting due to the lower radiation dose used for
450 screening. The effects of breast shields on image quality may vary depending on the types of shields and
451 their positioning on the chest. The American Association of Physicists in Medicine currently does not
452 endorse the use of breast shields, recommending the use of other dose reduction methods instead
453 (<https://www.aapm.org/publicgeneral/BismuthShielding.pdf>). Thus, the use of breast shields is not
454 compatible with the Profile Claims and is not recommended for lung cancer screening. However, organ
455 dose modulation techniques that reduce dose in the anterior thorax may be used if implemented on all
456 studies being compared.

457 Consistent **Subject Positioning** is important, to reduce variation in x-ray beam hardening and scatter and in
458 nodule orientation and position within the gantry. Improper centering can increase radiation dose and
459 image noise (32, 33). Positioning the chest (excluding the breasts) in the center of the gantry improves the
460 consistency of relative attenuation values in different regions of the lung, and should reduce scan-to-scan
461 variation in the behavior of dose modulation algorithms. The subject should be made comfortable, to
462 reduce the potential for motion artifacts and to facilitate compliance with breath holding instructions.

463 Subjects should be positioned supine with arms overhead, in keeping with standard clinical practice. The
464 sternum should be positioned over the midline of the table. The **Table Height and Centering** should be
465 adjusted so that the midaxillary line is at the widest part of the gantry. The use of positioning wedges under
466 the knees and/or head may be needed for patient comfort, or may help to better align the spine and
467 shoulders on the table, and is optional. It is expected that local clinical practice and patient physical
468 capabilities and limitations will influence patient positioning; an approach that promotes scan-to-scan
469 consistency is essential.

470 Scans should be performed during **Breath Holding** at maximal inspiration, to reduce motion artifacts and
471 improve segmentation. Efforts should be made to obtain consistent, reproducible, maximal inspiratory lung
472 volume on all scans, as inspiratory level can affect nodule volume measurements (21, 34, 35). The use of
473 live breathing instructions given at a pace easily tolerated by the patient is strongly recommended.
474 However, depending on local practice preference and expertise, the use of prerecorded breathing
475 instructions may provide acceptable results. Compliance with breathing instructions should be monitored
476 by carefully observing the movement of the chest wall and abdomen to insure that the breathing cycle
477 stays in phase with the verbal instructions. The scan should not be initiated until maximal inspiratory
478 volume is reached and all movement has ceased.

479 To promote patient compliance, performing a practice round of the breathing instructions prior to moving
480 the patient into the scanner also is strongly recommended. This will make the subject familiar with the
481 procedure, make the technologist familiar with the subject's breathing rate, and allow the technologist to
482 address any subject difficulties in following the instructions.

483 Sample breathing instructions:

- 484 1. "Take in a deep breath" (watch anterior chest rise)

2. “Breathe all the way out” (watch anterior chest fall)
3. “Now take a deep breath in.....in.....in.....in all the way as far as you can”
4. When chest and abdomen stop rising, say “Now hold your breath”.
5. Initiate the scan when the chest and abdomen stop moving, allowing for the moment it takes for the diaphragm to relax after the glottis is closed.
6. When scan is completed, say “You can breathe normally”

3.6.2 SPECIFICATION

Parameter	Actor	Requirement
Intravenous contrast	Analyst	Shall <u>not</u> use images in which intravenous contrast was administered for quantitative nodule volumetry in lung cancer screening or follow-up of screen-detected nodules.
	Radiologist	
Artifact sources	Technologist	Shall remove or position potential sources of artifacts (specifically including breast shields, metal-containing clothing, EKG leads and other metal equipment) such that they will not degrade the reconstructed CT volumes.
Subject Positioning	Technologist	Shall position the subject consistent with baseline.
Table Height & Centering	Technologist	Shall adjust the table height for the mid-axillary plane to pass through the isocenter of the gantry. Shall be consistent with baseline.
Breath holding	Technologist	Shall instruct the subject in proper breath-hold and start image acquisition shortly after full inspiration, taking into account the lag time between full inspiration and diaphragmatic relaxation.
		Shall ensure that for each tumor the breath hold state is consistent with baseline

3.7. Image Data Acquisition

This activity involves the acquisition of image data for a subject at either time point. It includes details of data acquisition that are necessary to reliably meet the Profile Claim.

3.7.1 DISCUSSION

CT scans for nodule volumetric analysis can be performed on equipment that complies with the Specifications set out in this Profile. However, performing all CT scans for an individual subject should ideally be done on the same platform (manufacturer, model and version) to reduce variation.

500 Note that the requirement to "select a protocol that has been prepared and validated for this purpose" is
501 not asking the technologist to scan phantoms before every patient. Sites are required in section 3.4.2 to
502 have validated the protocols that the technologist will be using and conformance with the protocol
503 depends on the tech selecting those protocols.

504 Many scan parameters can have direct or indirect effects on identifying, segmenting and measuring tumors.
505 To reduce these potential sources of variance, all efforts should be made to have as many of the scan
506 parameters as possible consistent with the baseline.

507 **Consistency with the baseline** implies a need for a method to record and communicate the baseline
508 settings and make that information available at the time and place that subsequent scans are performed.
509 Although it is conceivable that the scanner could retrieve prior/baseline images and extract acquisition
510 parameters to encourage consistency, such interoperability mechanisms are not defined or mandated here
511 beyond requiring that certain fields be populated in the image header. Similarly, managing and forwarding
512 the data files when multiple sites are involved may exceed the practical capabilities of the participating
513 sites. Sites should be prepared to use manual methods instead.

514 **Image Header** recordings of the key parameter values facilitate meeting and confirming the requirements
515 to be consistent with the baseline scan.

516 The goal of **parameter consistency** is to achieve consistent performance. Parameter consistency when
517 using the same scanner make/model generally means using the same values. Parameter consistency when
518 the baseline was acquired on a *different* make/model may require some "interpretation" to achieve
519 consistent performance since the same values may produce different behavior on different models. See
520 Section 3.4 "Protocol Design".

521 **Anatomic Coverage** For screening purposes a baseline scan should include the entire volume of the lungs
522 (apex through base), minimizing the volume scanned above and below the lungs to avoid unnecessary
523 radiation exposure. For nodule measurement, the scan should include the full nodule and typically 5 to 10
524 mm of lung region above and below the nodule.

525 The **localizer (scout) image** should be restricted as closely as possible to the anatomic limits of the thorax,
526 using the minimum kV and mA needed to identify relevant anatomic landmarks. Inspecting the image also
527 provides the opportunity to remove any external objects that may have been missed prior to positioning
528 the subject on the table.

529 As noted in Section 3.4.1, a **CT Dose Index (CTDI_{vol})** ≤ 3 mGy should provide sufficient image quality for a
530 person of standard size, (5'7"/170 cm and 154 lbs/70 kg), should be reduced for smaller individuals, and
531 may need to be increased for larger individuals, but should be kept constant for the same person at all time
532 points. The **Tube Potential (kV)**, **Tube Current (mA)**, tube **Rotation Time**, and **Pitch** may be varied as
533 needed to achieve the desired CTDI_{vol}. It is recommended that pitch does not exceed 2.0 for CT
534 acquisitions obtained with a single x-ray tube, or the equivalent for acquisitions with dual-source
535 technology.

536 3.7.2 SPECIFICATION

537 The Acquisition Device shall be capable of performing scans with all the parameters set as described in the
538 following table. The Technologist shall set the scan acquisition parameters to achieve the requirements in
539 the following table.

540

541

Parameter	Actor	Requirement	DICOM Tag
Acquisition Protocol	Technologist/Radiologist	Shall select a protocol that has been previously prepared and validated for this Profile (See section 3.4.2 "Protocol Design Specification").	
Scan Duration	Technologist	Shall perform the scan in a single breath hold.	
Consistency	Technologist	Shall ensure that follow-up scans use the same CT scanner model and acquisition protocol settings.	

542

543 3.8. Image Data Reconstruction

544 This activity involves the reconstruction of image data for a subject at either time point. It includes criteria
 545 and procedures related to producing images from the acquired data that are necessary to reliably meet the
 546 Profile Claim.

547 3.8.1 DISCUSSION

548 Many reconstruction parameters can have direct or indirect effects on identifying, segmenting, and
 549 measuring nodules. To reduce this source of variance, all efforts should be made to have as many of the
 550 parameters as possible on follow-up scans consistent with the baseline scan.

551 **Reconstruction Field of View** interacts with image matrix size (512x512 for most reconstruction algorithms)
 552 to determine the reconstructed pixel size. Pixel size directly affects voxel size in the x-y plane. Smaller
 553 voxels are preferable to reduce partial volume effects that can blur the edges of nodules and reduce
 554 measurement accuracy and precision. Pixel size in each dimension is not the same as spatial resolution in
 555 each dimension, which depends on a number of additional factors including the section thickness and
 556 reconstruction kernel. Targeted reconstructions with a small field of view minimize partial volume effects,
 557 but have limited effect on the accuracy of nodule volumetry compared to a standard field of view that
 558 encompasses all of the lungs (11, 12). A reconstructed field of view set to the widest diameter of the lungs,
 559 and consistent with baseline, is sufficient to meet the Claims of this Profile.

560 The **Reconstructed Slice Thickness** should be small relative to the size of the smallest nodules detected and
 561 followed by CT screening (11-13, 36).

562 The **Reconstruction Interval** should be either contiguous or overlapping (i.e. with an interval that is less
 563 than the reconstructed slice thickness). Either method will be consistent with the Profile Claims, though
 564 overlap of 50% may provide better accuracy and precision compared to contiguous slice reconstruction
 565 (37). Reconstructing datasets with overlap will increase the number of images and may slow down
 566 throughput, increase reading time, and increase storage requirements, but has NO effect on radiation
 567 exposure. A reconstruction interval that results in gaps between slices is unacceptable as it may "truncate"

568 the spatial extent of the nodule, degrade the identification of nodule boundaries, and confound the
569 precision of measurement for total nodule volumes.

570 The **Reconstruction Algorithm Type** most commonly used for CT has been filtered back projection. More
571 recently introduced methods of iterative reconstruction can provide reduced image noise and/or radiation
572 exposure (38). Studies have indicated that iterative methods are at least comparable to filtered back
573 projection for CT volumetry (16-18, 28, 39). Both algorithm types are acceptable for this Profile.

574 The **Reconstruction Kernel** influences the texture and the appearance of nodules in the reconstructed
575 images, including the sharpness of the nodule edges. In general, a softer, smoother kernel reduces noise at
576 the expense of spatial resolution, while a sharper, higher-frequency kernel gives the appearance of
577 improved resolution at the expense of increased noise. Kernel types may interact differently with different
578 software segmentation algorithms. Theoretically, the ideal kernel choice for any particular scanner is one
579 that provides the highest resolution without edge enhancement, which generally will be a kernel in the
580 medium-smooth to medium-sharp range of those available on clinical scanners. With increasing kernel
581 smoothness, underestimation of nodule volume becomes a potential concern, while with increasing kernel
582 sharpness, image noise and segmentation errors become potential concerns. Use of a reconstruction kernel
583 on follow-up scans consistent with baseline therefore is particularly important for relying on the Profile
584 Claims.

585 3.8.2 SPECIFICATION

Parameter	Actor	Specification	DICOM Tag
Reconstruction Protocol	Technologist	Shall select a protocol that has been previously prepared and validated for this purpose (See section 3.4.2 "Protocol Design Specification").	
Reconstruction Field of View	Technologist	Shall ensure the Field of View spans at least the full extent of the thoracic and abdominal cavity, but not substantially greater than that, and is consistent with baseline.	Reconstruction Field of View (0018,9317)
Reconstructed Image Thickness	Technologist	Shall set reconstructed image thickness to less than or equal to 1.25 mm and the same as baseline.	Slice Thickness (0018,0050)
Reconstruction Interval	Technologist	Shall set to less than or equal to the Reconstructed Image Thickness (i.e. no gap, may have overlap) and consistent with baseline.	Spacing Between Slices (0018,0088)

Parameter	Actor	Specification	DICOM Tag
Reconstruction Kernel	Technologist	Shall set the reconstruction kernel and parameters consistent with baseline (i.e. the same kernel and parameters if available, otherwise the kernel most closely matching the kernel response of the baseline).	Convolution Kernel (0018,1210), Convolution Kernel Group (0018,9316)

586

587 **3.9. Image Quality Assurance**

588 This activity involves evaluating the reconstructed images prior to image analysis. It includes image criteria
 589 that are necessary to reliably meet the Profile Claim.

590 3.9.1 Discussion

591 This Image QA activity represents the portion of QA performed between image generation and analysis
 592 where characteristics of the content of the image are checked for conformance with the Profile. The Image
 593 QA details listed here are the ones QIBA has chosen to highlight in relation to achieving the Profile Claim. It
 594 is expected that sites will perform many other QA procedures as part of good imaging practices.

595 Numerous factors can affect image quality and result in erroneous nodule volume measurements. **Motion**
 596 **artifacts** and **Dense Object Artifacts** can alter the apparent size, shape, and borders of nodules. Certain
 597 **Thoracic Disease** processes may alter the attenuation of the lung surrounding a nodule and interfere with
 598 identification of its true borders. Contact between a nodule and anatomic structures such as pulmonary
 599 vessels or the chest wall, mediastinum, or diaphragm also may affect **Nodule Margin Conspicuity** and
 600 obscure the true borders. Although screening may still be performed on them, the Claims of this Profile do
 601 not apply to nodules affected by image quality deficiencies that impair **Overall Nodule Measurability** and
 602 the sensitivity for nodule detection may be reduced.

603 3.9.2 Specification

604

Parameter	Actor	Requirement
Motion Artifacts	Technologist	Shall confirm the Images to be analyzed are free from motion artifacts.
	Image Analyst	
Dense Object Artifacts	Technologist	Shall confirm the Images to be analyzed are free from artifacts due to dense objects or anatomic positioning.
	Image Analyst	
Thoracic disease	Image Analyst	Shall confirm the Images to be analyzed are free from disease processes affecting the measurability of the nodule.
Nodule Margin Conspicuity	Image Analyst	Shall confirm the Nodules to be analyzed are sufficiently distinct from and not significantly attached to other structures of similar attenuation. A nodule is significantly attached to other structures of similar attenuation if the attached surface area(s) represents more than 1/3 of the total surface area of the lung nodule.
Nodule Size	Image Analyst	Shall confirm (now or during measurement) that tumor longest in-plane

Parameter	Actor	Requirement
		diameter is between 6 mm and 10 mm. (For a spherical tumor this would roughly correspond to a volume between 113 mm ³ and 905 mm ³ .)
Overall Nodule Measurability	Image Analyst	Shall disqualify any Nodules and images with features that might reasonably be expected to degrade measurement reliability.

605

606 **3.10. Image Analysis**

607 This activity involves measuring the volume change for subjects over one or more timepoints. It includes
608 criteria and procedures related to producing quantitative measurements from the images that are
609 necessary to reliably meet the Profile Claim.

610 3.10.1 DISCUSSION

611 Image analysis should be performed using **Image Analysis Tool** programs that have received appropriate
612 scientific validation. Because different programs use different segmentation algorithms that may result in
613 different volumetric measurements even for ideal nodules, and different versions of the same program or
614 its components may change its performance, a nodule being evaluated for change must be analyzed at
615 both time points with the same software program (manufacturer, model, and version).

616 The volume of a lung nodule is typically determined by defining the nodule boundary (referred to as
617 segmentation) and computing the volume within the boundary. Segmentation typically is performed by an
618 automated algorithm after the user designates the location of the nodule to be measured with a starting
619 seed point, cursor stroke, or region of interest. A subjective **Segmentation Analysis** should be conducted to
620 closely inspect segmentation volumes in three dimensions for concordance with the visually-assessed
621 nodule margins. Assessment of this concordance can be affected by the **Image Display Settings**, so a
622 window and level appropriate for viewing the lung should be used and kept the same for all time points
623 being compared.

624 Nodules for which the segmentation tracks the margins most accurately, without manual editing, will most
625 closely meet the Claims of this Profile. If in the radiologist's opinion the segmentation is unacceptable,
626 quantitative volumetry shall not be used and nodule size change should be assessed using standard clinical
627 methods. Nodule location and margin characteristics impact segmentation quality and variance in nodule
628 measurement, which are more favorable for nodules that are isolated, well-separated from adjacent
629 structures, and have smooth borders compared to nodules abutting pulmonary vessels or parietal pleura,
630 and also for smooth nodules compared to spiculated or irregularly shaped nodules (40-45).

631 When deriving the nodule volume difference between two time points, the **Reading Paradigm** involves
632 direct side-by-side comparison of the current and previous image data at the same time, to reduce
633 interobserver and intraobserver variation. Storing segmentations and measurement results for review at a
634 later date is certainly a useful practice as it can save time and cost. However, segmentation results at both
635 time points should be inspected visually in three dimensions to make sure that they are of sufficient and
636 comparable accuracy in order to meet the Claims of the Profile. If a previous segmentation is unavailable

637 for viewing, or the previous segmentation is not of comparable accuracy to the current segmentation,
 638 segmentation at the comparison time point should be repeated.

639 Methods that calculate volume changes directly without calculating volumes at individual time points are
 640 acceptable so long as the results are compliant with the specifications set out by this Profile. Regardless of
 641 method, the ability of software to calculate and record volume change relative to baseline for each nodule
 642 is recommended.

643 These Image Analysis specifications are intended to apply to a typical user working in the clinical setting
 644 (i.e. without extraordinary training or ability). This should be kept in mind by vendors measuring the
 645 performance of their tools and sites validating the performance of their installation. Although the
 646 performance of some methods may depend on the judgment and skill of the user, it is beyond this Profile
 647 to specify the qualifications or experience of the operator.

648 3.10.2 SPECIFICATION

Parameter	Actor	Requirement
Image Analysis Tool	Image Analyst	Shall use the same Image Analysis Tool (manufacturer, model, version) for measurements at all time points.
Image Analysis Tool	Image Analyst	Shall verify that the Image Analysis Tool achieves the volume measurement bias, coefficient of variation, and measurement linearity performance specified in this Profile. Clinical sites may use a small dataset for tis verification.
Segmentation Analysis	Image Analyst	Shall disqualify nodules with inadequate automated segmentations or nodules with non-comparable segmentations at both time points.
Image Display Settings	Image Analyst	Shall set the Image display setting (window and level) for the segmentation initiation to the same lung appropriate settings for all time points.
Claim Calculations	Image Analyst	Shall use linear interpolation for calculating intermediate values between those provided in the CV table (Table 1).

649

4. Conformance

To conform to this Profile, participating staff and equipment (“Actors”) shall support each activity assigned to them in Table 3-1. To support an activity, the actor shall conform to the checklist of requirements (indicated by “shall language”) listed in the specifications table of that activity subsection in Section 3.

Although some of the requirements described in Section 3 can be assessed for conformance by direct observation, many of the most critical performance-oriented requirements cannot. Thus, the assessment procedures in Section 4 are required.

This section begins with a description of the **Technical Evaluation Methods** (Section 4.1) that will be used to verify the performance requirements of the image acquisition system and the software analysis system. The **Equipment Vendor Assessment Procedure** (Section 4.2) specifies the conformance procedures that equipment vendors must perform for a specific vendor equipment model to comply with the Profile. The **Clinical Site Assessment Procedure** (Section 4.3) describes the steps needed by a clinical site to achieve conformance with this Profile.

4.1. Technical Evaluation Methods

There are two types of equipment used to perform lung nodule measurements in this Profile. The technical methods to verify the quality of images produced by the CT scanner and acquisition protocol are outlined in Section 4.1.1. The technical methods to verify the quality of measurements produced by the analysis software is outlined in Section 4.1.2. These methods are then used by equipment vendors (Section 4.2) and clinical sites (Section 4.3) to verify conformance with Profile requirements.

To date for routine clinical imaging, technical criteria have been typically developed for assessing performance in qualitative imaging applications. With this Profile, we are evaluating the imaging relative to assessing performance in quantitative imaging. To reliably measure small changes in the volume of pulmonary nodules is a very demanding task requiring a rigorous conformance process. One level of testing conformance would be for an Actor to perform the appropriate assessment procedures for relevant Specifications, and if results are within specification then to assert that the Actor is “Conformant”. This could be referred to as “self-attestation”. A second level would be for a third-party, such as an imaging physicist at a site, or a contractor hired by or for an Actor, to perform the assessment procedures and report the results. A third level would be for a disinterested, neutral, objective third party to perform the assessment procedures and issue a report. This neutral-party conformance process verifies that the level of measurement accuracy embedded in the Profile claim has been met.

Therefore, one way to validate conformance with the Profile, involves acquiring images of a standard reference object and sending the resulting images to a QIBA Conformance evaluation site for review. After automated analysis, a comprehensive report of the scanner performance relative to the conformance requirement of the Profile is sent back to the site (typically within the ensuing hour). The overall goal of this process is to ensure that the CT scanner is performing well enough when set to the specified acquisition parameters such that it can provide accurate and robust imaging information relative to the stated statistical boundaries of the Profile Claim.

Note that while use of this conformance process represents one QIBA-accepted method for clinical sites and equipment vendors to demonstrate conformance with this Profile, a site or a vendor may alternatively contact QIBA with a technically equivalent approach for conformance along with supporting data. An

alternative conformance approach that is determined by QIBA to meet the goals of the Profile may also be used for Profile conformance.

4.1.1 CT Image Quality Characteristics

These methods specify the quality characteristics of reconstructed images for a specific CT scanner and acquisition protocol. Image quality is assessed with a collection of six metrics:

- Resolution is assessed in terms of the estimated response of the imaging system to a point source (aka point spread function or PSF). The PSF, in turn, is characterized as a Gaussian with a standard deviation of sigma expressed in mm. The PSF is measured both in-plane and along the Z dimension. Note: decreasing values indicate improving resolution.
- Resolution Aspect Ratio is assessed by taking the ratio of the PSF sigma along the Z dimension and dividing by the PSF sigma along the X dimension.
- HU Bias is assessed in terms of the HU difference of the mean value from the expected value for a material with uniform density.
- Voxel Noise is assessed in terms of the standard deviation of pixel HU values when imaging a material with uniform density.
- Edge Enhancement is assessed in terms of the maximum percent increase in HU contrast above expected along the outer edge of an ideal cylinder surrounded by air.
- Spatial Warping is assessed in terms of the mean squared error of the outer cylindrical surface compared to an ideal cylindrical reference object surface.

The assessor shall scan a QIBA accepted Quantitative CT reference object using patient-specific settings for an average size patient. **Figure 1** shows the overall design of a QIBA accepted Lung Nodule Phantom which contains three image quality assessment modules placed at different distances from scanner isocenter (approximately 0mm, 102mm, and 204mm) within a 3lb EVA foam housing. Within each module is a hollow cylinder made of Delrin plastic with an inner radius of 17.0 mm +/- 0.02mm, an outer radius of 28.0 mm +/- 0.02mm and a height of 19.0mm +/- 0.02mm. Centered within the inner radius of the hollow cylinder is an Air region with a nominal height of 13 mm. An additional 10 mm radius of Air surrounds the hollow cylinder. 6.0 mm above the hollow cylinder is a homogeneous Teflon cylinder with a height of 10.0mm +/- 0.1mm and a diameter of 34mm +/- 0.1mm. A homogeneous Acrylic cylinder is also present 6.0 mm below the hollow cylinder with the same dimensions and tolerances as the Teflon cylinder. This phantom also has an iso-centering and alignment target on its outer surfaces.

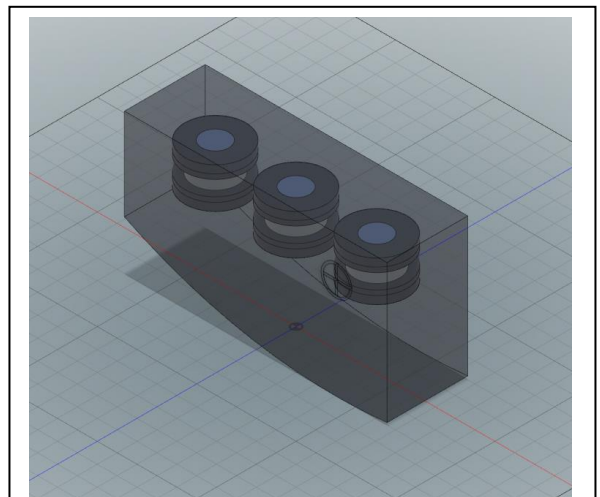


Figure 1: An illustration with translucency showing a QIBA CT Lung Nodule Phantom.

The scan may be performed at any time in the day after the CT scanner has passed its daily ACR CT accreditation and manufacturer calibration checks.

The assessor shall calculate each of the six image quality characteristics at the location of the two image quality assessment modules closest to iso-center and at the iso-center distance of 160.0 mm. Given that the radius of a measurement module ranges from 17.0 mm to 28.0 mm interpolation at 160.0 mm will measure image characteristics over a range of iso-center distances from 132mm to 188.0 mm. The evaluation of the six image quality characteristics at 160.0 mm will be performed by linearly interpolating the values between the middle module positioned at 100mm from iso-center and the module that is furthest from iso-center.

The assessor shall calculate **Resolution** by scanning a QIBA-accepted reference object and determining the 3D Gaussian PSF sigmas that best fit the partial volume voxels near the surface of the hollow cylinder reference object. The resulting X,Y PSF sigma represents the in-plane resolution and the Z PSF sigma represents the Z resolution, both of which are expressed in mm. The 3D PSF sigma ellipsoid volume (PSF_v) is calculated as the volume of an ellipsoid with semi-axis lengths of X, Y, and Z PSF sigmas, which is expressed as $PSF_v = \frac{4}{3} \pi \sigma_x \sigma_y \sigma_z$. The 3D PSF sigma volume is expressed in mm^3 where decreasing values indicate improving resolution. A QIBA-accepted reference object is a concentric cylinder placed flat on an X-Z scanner plane and the inner surface of concentric cylinder is used to determine both in-plane resolution and Z resolution. A Modulation Transfer Function at a 50% cutoff frequency (MTF 50) value can be translated to an **In-plane Point Spread Function** sigma using the following equation (46):

$$\sigma_{xy} = \frac{\sqrt{-2 \ln m_0}}{2\pi\mu_0}$$

where m_0 is the MTF frequency and μ_0 is the line pairs per millimeter. Thus, a conversion from PSF to MTF is:

$$m_0 = e^{-(\sigma_{xy}\pi\mu_0)^2}$$

The resolution aspect ratio can not exceed 2.0.

The assessor shall calculate **HU Bias** for a particular material by first measuring the mean of HU density for voxels that are within a QIBA-accepted reference object such that partial volume will NOT impact the measurement. Each measured voxel must be $> 2 \times$ sigma millimeters from the outer surface of the reference object to avoid bias from partial volume artifact. The expected HU density of the material is then subtracted from the mean HU value to arrive at the HU deviation. The two materials measured for HU Bias are Air and Acrylic and the HU bias is expressed in HU.

The assessor shall calculate **Voxel Noise** for a material by measuring the standard deviation of HU density for voxels that are within a QIBA accepted reference object such that partial volume will NOT impact the measurement. Each measured voxel must be $> 2 \times$ sigma millimeters from the outer surface of the concentric cylinder to avoid bias from partial volume artifact. The material measured for Voxel Noise is Acrylic.

The assessor shall calculate **Edge Enhancement** using a QIBA accepted method. One method accepted by QIBA is performed by measuring the mean HU density along a series of ± 10 degree circular arc shaped sampling paths with each path at varying radial distances from a hollow cylinder center, centered on the X axis, and always inside the hollow cylinder reference object placed nominally flat on an X-Z scanning plane.

769 The maximum of the mean HU densities observed minus the measured mean HU for Air represents the
770 maximum observed contrast due to edge enhancement (EEm). The reference level of edge enhancement
771 (EEr) is calculated as the mean HU density for Delrin minus the measured mean HU for Air. Once these are
772 determined the final Edge Enhancement value is then calculated as $EE = \frac{EE_m}{EE_r} - 1$.

773 The assessor shall calculate **Spatial Warping** by using a QIBA accepted method. One method accepted by
774 QIBA is performed by computing the root mean square error (RMSE) of the outer cylindrical surface of a
775 hollow Delrin cylinder with respect to the surface of an ideal geometric cylinder at that location. The
776 geometry of a perfect uncapped cylinder is used for the ideal reference object surface and marching cubes
777 with a threshold halfway between the measured mean Delrin HU density and the measured mean Air HU
778 density is used for the outer cylindrical surface.

780 If the assessor is using a CT scanning protocol with a small Field of View (FOV) that produces image data
781 containing less than three image quality assessment modules, the assessor will need to provide a second
782 protocol that shows conformance for all three modules. The combination of two protocols, one for large
783 patients and another for patients that fit within a smaller FOV, can be used to demonstrate Profile
784 conformance.

785 4.1.2 Nodule Analysis Software Characteristics

786 These methods specify the minimum quality characteristics of a nodule measurement software application.
787 Measurement quality is assessed with two metrics:

- 788 • Measurement Bias is the deviation of the mean value from its true value for a set of volumetric
789 measurements. This metric is assessed by measuring the volume of repeat scans of geometric
790 objects, each with a manufactured and verified volume, where the objects have varying size and
791 shape.
- 792 • Coefficient of Variation (CV) is a measure of variation for repeated volumetric measurements of an
793 object. It is calculated as the ratio of the standard deviation to the mean for a set of measurements.
794 This metric is assessed by measuring the volume of short-time interval repeat scans of nodules,
795 where the nodules have varying size, shape, and attachments as well as by measuring the volume of
796 geometric object scans.

798 One method for nodule analysis software is described here. The assessor shall obtain two sets of CT scans
799 which are available through a link provided in the Conformance Materials section of the [QIBA Small Lung
800 Nodule Profile Wiki page](#). A “phantom nodule dataset” contains M=10 CT scans of a QIBA provided
801 phantom with numerous geometric objects embedded in foam or another QIBA accepted reference object.
802 A “clinical nodule dataset” contains N=5 repeat CT scans of 14 different lung nodules of varying shape and
803 size all acquired within a short time interval such that the amount of volumetric change must be close to
804 zero.

806 Two spreadsheet files are also available in the Conformance Materials section of the [QIBA Small Lung
807 Nodule Profile Wiki page](#). An “object location file” in *.xls format contains the RAS coordinate locations of
808 the geometric objects in the “phantom nodule dataset”. A “measurement reporting file” in *.xls format is
809 also provided with a volumetric measurement data entry location for each object to be measured.

811 The assessor shall load each CT series in the “phantom nodule dataset” and the “clinical nodule dataset”

812 into the nodule measurement software and obtain a volumetric measurement. The assessor shall enter
813 each volumetric measurement into the “measurement reporting file” which will automatically verify that
814 the values reported are conformant. This will specifically verify that the bias for each volumetric
815 measurement of a geometric object is $\leq 5\%$ of the object’s manufactured volume, with 95% confidence.
816 The spreadsheet will also verify that the coefficient of variation for both geometric objects and repeat lung
817 nodules does not exceed the values in **Table 1**, with 95% confidence. The assessor shall also enter the
818 analysis software name and version number into the “measurement reporting file” and upload the file to
819 the QIBA quality assurance site listed in the Conformance Materials Section of the [QIBA Small Lung Nodule](#)
820 [Profile Wiki page](#). Measurement linearity needs to be shown by regressing the measurements (Y values) on
821 the true values (X values). If the relationship between Y and X is well explained by a line (i.e. $R^2 \geq 0.9$ and
822 quadratic term is near zero) then the assumption of linearity is met. The regression slope must be close to
823 1.0 (i.e. 95% CI bounds for the slope must be contained within 0.95 and 1.05). The specific version of the
824 lung nodule analysis software will be considered conformant when at least two independent clinical sites
825 have successfully performed these procedures.

826
827 Sites can follow the vendor equipment procedure to verify conformance of software that is not on the list.

828 **4.2. Equipment Vendor Conformance Procedures**

829 Scanner and analysis software vendors will follow the assessment procedures in this section for a specific
830 model of equipment to achieve conformance with this Profile. Although vendor assessment procedures will
831 use some of the same methods and tools as clinical sites, the assessment of vendor equipment is designed
832 to be more rigorous. The combination of thorough testing of equipment by vendors along with numerous
833 field test assessments by clinical sites is intended to help ensure that the claims of this Profile will be met.

834 4.2.1 Scanner Vendor Assessment Procedure

835 Scanner vendors will first establish a set of preferred protocols (i.e. equipment settings) for clinical sites to
836 use on their equipment. Because slight modifications of a protocol setting (e.g. use of a different mA setting
837 for each patient) is permitted in this Profile, scanner vendors are required to verify that the requirements
838 of this profile will still be met even when scanning with common protocol variations. A Design of
839 Experiments (DOE) approach will be used to evaluate the performance of a scanner under varying
840 conditions from each preferred protocol setting.

841
842 The scanner vendor will perform the following steps to demonstrate that a specific scanner model is
843 conformant with this Profile:

- 844
845 (1) Identify and use a single clinically operating CT scanner for the specific model being evaluated.
- 846
847 (2) Define one or more CT acquisition protocols that will be communicated to clinical sites as a
848 proposed vendor recommended acquisition protocol for this model scanner. Each proposed vendor
849 recommended acquisition protocol must meet the requirements of this Profile and obtain a passing
850 automated image quality report according to the steps in section 4.3.1, or may use another QIBA-
851 approved method.
- 852
853 (3) For each vendor recommended acquisition protocol, a 2^4 full factorial DOE will be defined and
854 performed with variation on mAs, field of view, pitch, and iterative recon setting (if appropriate,
855 table height if not). The DOE will also have three repeat acquisitions for the recommended

acquisition protocol. For example, a recommended CT acquisition protocol with the following settings:

mAs	40
kVp	100
Rotation Time (s)	0.50
Field of View (cm)	35.0
Pitch	1.50
Slice Thickness (mm)	1.00
Slice Spacing (mm)	0.75
Reconstruction Kernel	I40-4
Table Height	Centered

Table 2: Acquisition protocol example.

will have a DOE with the following 19 experiments consisting of 3 repeat CT scans of the recommended CT acquisition protocol (A,B,C) and 16 CT scans that systematically vary mAs, FOV, Pitch, and an iterative reconstruction setting:

Experiment #	mAs	FOV	Pitch	Iterative Recon Setting	Notes
A	40	35.0	1.50	I40-4	Repetition 1
01	30	30.0	1.25	I40-3	[-, -, -, -]
02	30	30.0	1.25	I40-5	[-, -, -, +]
03	30	30.0	1.75	I40-3	[-, -, +, -]
04	30	30.0	1.75	I40-5	[-, -, +, +]
05	30	40.0	1.25	I40-3	[-, +, -, -]
06	30	40.0	1.25	I40-5	[-, +, -, +]
07	30	40.0	1.75	I40-3	[-, +, +, -]
08	30	40.0	1.75	I40-5	[-, +, +, +]
B	40	35.0	1.50	I40-4	Repetition 2
09	50	30.0	1.25	I40-3	[+, -, -, -]
10	50	30.0	1.25	I40-5	[+, -, -, +]
11	50	30.0	1.75	I40-3	[+, -, +, -]
12	50	30.0	1.75	I40-5	[+, -, +, +]
13	50	40.0	1.25	I40-3	[+, +, -, -]
14	50	40.0	1.25	I40-5	[+, +, -, +]
15	50	40.0	1.75	I40-3	[+, +, +, -]
16	50	40.0	1.75	I40-5	[+, +, +, +]
C	40	35.0	1.50	I40-4	Repetition 3

Table 3: Design of experiments example.

- (4) For each experiment in the DOE the scanner vendor must meet the requirements of this Profile and obtain a passing automated image quality report according to the steps in section 4.3.1, or may use another QIBA-approved method. Vendors will be provided a facility to upload multiple scans for automated analysis.

- 902
903 (5) The scanner model and recommended acquisition protocol will be considered compliant with the
904 Profile when all experiments in the full DOE have obtained a passing image quality report, or
905 another QIBA-approved method. The variation tested in the DOE defines an operating envelope that
906 the scanner model has been shown to support. Vendors may wish to repeat DOE experiments to
907 verify conformance with a wider operating envelope and this may include the addition of DOE
908 variables.

909
910 Each CT scanner model and recommended vendor acquisition protocol pair that completes these steps will
911 then each be listed in the Clinical Site Conformance section of the [QIBA Small Lung Nodule Profile Wiki page](#)
912 as a verified conformant CT scanner model and a recommended acquisition protocol.

913 4.2.2 Analysis Software Vendor Assessment Procedure

914 Analysis software will be run against a set of testing datasets to assess that the volumetric measurement
915 software performs at a minimum level of performance. Datasets will include phantom scans containing
916 geometric objects of known volumes (i.e. phantom nodule dataset) as well as clinical zero change clinical
917 nodule datasets (i.e. clinical nodule dataset).

918
919 A modified version of a QIBA CT Lung Nodule phantom with
920 sets of precision manufactured ellipsoids is scanned to
921 obtain the phantom nodule dataset. **Figure 2** shows the
922 placement of two additional ellipsoid modules (shown in
923 yellow) within a QIBA CT lung Nodule phantom. Each
924 additional ellipsoid module is 76.4mm in diameter and 50.8
925 mm in height. Inside the additional ellipsoid module below
926 the standard module at iso-center are EVA foam cylinders
927 containing acrylic ellipsoids. The top cylinder contains 16
928 acrylic ellipsoids with 10.0 x 6.0 x 6.0 mm diameters, the
929 next cylinder contains another 16 acrylic ellipsoids with 9.0
930 x 5.4 x 5.4 mm diameters, and the bottom cylinder contains
931 another 16 acrylic ellipsoids with 8.0 x 4.8 x 4.8 mm
932 diameters. The other additional ellipsoid module contains a
933 top cylinder with 16 acrylic ellipsoids with 7.0 x 4.2 x 4.2
934 mm diameters and the middle cylinder contains 16 acrylic
935 ellipsoids with 6.0 x 3.6 x 3.6 mm diameters. All ellipsoids
936 were manufactured with a maximum diameter tolerance of
937 +/- 0.02 mm.

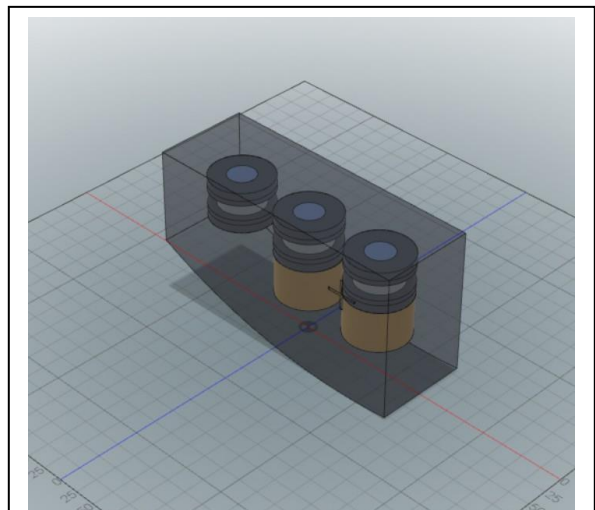


Figure 2: A QIBA CT Lung Nodule Phantom with the addition of two modules for software conformance testing.

939 **Figure 3** shows the positioning of the acrylic ellipsoids
 940 within a cylinder. All ellipsoids were placed in the same
 941 relative positions within a single cylinder.

942
 943 The phantom nodule dataset and the clinical nodule dataset
 944 is available for download through a link in the Conformance
 945 Section of the [QIBA Small Lung Nodule Profile Wiki page](#). In
 946 addition, a template analysis software measurement
 947 spreadsheet for measurement findings is available through
 948 a link in the Conformance Section of the [QIBA Small Lung
 949 Nodule Profile Wiki page](#) that provides the RAS location and
 950 data placeholders for software calculated measurements.

951
 952 Analysis software conformance testing is specific to the
 953 name and version number of an analysis software system
 954 available to clinical sites for the measurement of CT lung
 955 nodules.

956
 957 Analysis software testing of the phantom nodule dataset will consist of the following steps:

- 958 (1) Sequentially load each longitudinal CT series in the phantom nodule dataset into the analysis
 959 software and perform automated or semi-automated segmentation of the nodule(s).
 960
- 961 (2) Place each calculated volume measurement into the analysis software measurement spreadsheet.
 962 As measurements are placed into the spreadsheet the bias and coefficient of variation of each
 963 simulated nodule will be automatically calculated by the spreadsheet.
 964
- 965 (3) After all measurements have been calculated all bias and coefficient of variation values must be
 966 within acceptable limits for this Profile. The phantom nodule dataset measurements must produce
 967 coefficients of variation no greater than those listed in Table 1 (i.e. upper bound of 95% CI for CV
 968 are \leq the values in Table 1). Volume bias may not exceed 5% of the phantom nodule manufactured
 969 volume, with 95% confidence.
 970

971
 972 Analysis software testing of the clinical nodule dataset will consist of the following steps:

- 973 (1) Sequentially load each longitudinal CT series in the clinical nodule dataset into the analysis software
 974 and perform automated or semi-automated segmentation of the nodule(s).
 975
- 976 (2) Place each calculated volume measurement into the analysis software measurement spreadsheet.
 977 As measurements are placed into the spreadsheet the coefficient of variation of each clinical nodule
 978 will be automatically calculated by the spreadsheet.
 979
- 980 (3) After all measurements have been calculated all coefficient of variation values must be within
 981 acceptable limits for this Profile. The clinical nodule dataset measurements must produce
 982 coefficients of variation no greater than those listed in Table 1 (i.e. upper bound of 95% CI for CV
 983 are \leq the values in Table 1).
 984

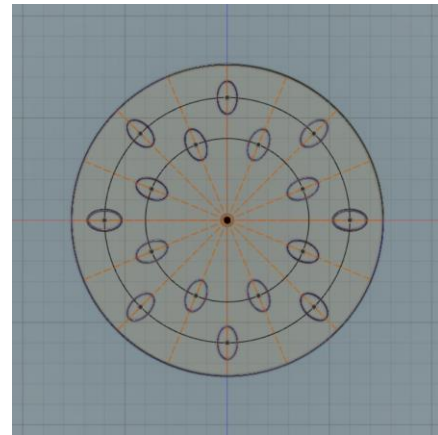


Figure 3: Positioning of the acrylic ellipsoids within a cylinder. This example specifically shows the positioning of 8.0 x 4.8 x 4.8 mm diameter acrylic ellipsoids.

985
986
987
988
989

Analysis software (including version number) that completes these steps will then be listed and available in the Conformance Section of the [QIBA Small Lung Nodule Profile Wiki page](#) as a verified conformant nodule analysis software.

4.3. Clinical Site Conformance Checklist

991
992
993
994

One way a clinical site can achieve conformance to this Profile is to follow the four main checklist steps outlined below. For convenience, the actors at a clinical site that are responsible for completing each step is provided in parentheses at the end of each step title. Detailed technical information on Profile requirements is provided in Section 3.

995
996

Preparing For Lung Nodule Measurement			
Step	Description	Actor	Conforms
1.0	CT Scanner and Lung Nodule Analysis Software Verification For each analysis software application to be used for lung cancer screening nodule measurement:		
1.1	Verify that the CT scanner manufacturer and model name is on this QIBA verified list available in the Conformance Section of the QIBA Small Lung Nodule Profile Wiki page .	Radiologist	<input type="checkbox"/> Yes <input type="checkbox"/> No
1.2	Verify that the software name, including version number, is on this QIBA verified list available in the Conformance Section of the QIBA Small Lung Nodule Profile Wiki page .	Radiologist	<input type="checkbox"/> Yes <input type="checkbox"/> No
2.0	CT QA and Lung Screening Protocol Verification For each CT scanner to be used for lung cancer screening nodule measurement:		
2.1	Verify that the CT scanner is FDA approved and consistently following ACR CT accreditation and manufacturer installation and maintenance requirements.	Medical Physicist	<input type="checkbox"/> Yes <input type="checkbox"/> No
2.2	Establish a CT lung cancer screening protocol and save it on the CT scanner. Sites may use their existing lung screening protocol or pick a protocol from a continuously updated list provided by QIBA in the Conformance Section of the QIBA Small Lung Nodule Profile Wiki page .	Radiologist and Technologist	<input type="checkbox"/> Yes <input type="checkbox"/> No
2.3	CT scan a QIBA CT reference object with the saved CT lung screening protocol.	Technologist	<input type="checkbox"/> Yes <input type="checkbox"/> No
2.4	Submit the CT reference object scan to the site listed in the Conformance Section of the QIBA Small Lung Nodule Profile Wiki page and obtain a passing automated image quality report. If the site does not receive a passing CT image quality	Radiologist or Technologist or Medical Physicist	<input type="checkbox"/> Yes <input type="checkbox"/> No

	report, repeat steps 2.1 to 2.4 until a passing report is obtained.		
3.0	CT Nodule Analysis Software Verification For each CT nodule analysis software system to be used for lung cancer screening nodule measurement:		
3.1	Verify that the CT nodule analysis software is FDA approved.	Radiologist or Image Analyst	<input type="checkbox"/> Yes <input type="checkbox"/> No
3.2	Download the clinical site conformance verification data zip file and nodule measurement spreadsheet from the Conformance Section of the QIBA Small Lung Nodule Profile Wiki page (which contains five pairs of nodule scans). Perform nodule volume measurements and for all of the nodules listed. Email the nodule volume measurement spreadsheet to the email listed in the Conformance Section of the QIBA Small Lung Nodule Profile Wiki page and obtain a passing nodule volume measurement software report.	Radiologist or Image Analyst	<input type="checkbox"/> Yes <input type="checkbox"/> No
Performing Lung Nodule Measurement			
Step	Description	Actor	Conforms
4.0	CT Data Acquisition, Lung Nodule, and Segmentation Verification For each CT lung cancer screening and solid lung nodule follow-up CT scan:		
4.1	If performing the measurement of volume change, verify that the same CT scanner and image acquisition protocol was used at both time points.	Radiologist	<input type="checkbox"/> Yes <input type="checkbox"/> No
4.2	Verify that the patient did not receive IV contrast as part of the CT study.	Radiologist	<input type="checkbox"/> Yes <input type="checkbox"/> No
4.3	Visually verify that the nodule to be measured is solid, has a largest diameter between 6mm and 10mm, has $\leq 1/3$ of its surface area attached to structures with similar attenuation, and that the saved and verified CT lung nodule acquisition protocol was used at all nodule scanning time points.	Radiologist	<input type="checkbox"/> Yes <input type="checkbox"/> No
4.4	Visually verify that significant artifacts (e.g. motion, streaking) are not present and that image noise is not excessive at the location of the solid nodule to be measured.	Radiologist	<input type="checkbox"/> Yes <input type="checkbox"/> No
4.5	Visually verify that the measurement of the solid nodule is free of segmentation errors.	Radiologist	<input type="checkbox"/> Yes <input type="checkbox"/> No
5.0	Obtain Volumetric Nodule Measurement Guidance For each series of CT lung nodule measurements consisting of one or more time points:		
5.1	Use a QIBA small lung nodule Profile on-line calculator listed in	Radiologist	<input type="checkbox"/> Yes

	the Conformance Section of the QIBA Small Lung Nodule Profile Wiki page for guidance on levels of volumetric measurement error for each lung nodule measurement and change measurement.		<input type="checkbox"/> No
--	---	--	-----------------------------

997

998

References

- 1000 1. Henschke CI, Yankelevitz DF, Libby DM, Pasmantier MW, Smith JP, Miettinen OS. Survival of patients
1001 with stage I lung cancer detected on CT screening. *N Engl J Med*. 2006; 355(17):1763-71.
- 1002 2. Aberle DR, Adams AM, Berg CD, et al. Reduced lung-cancer mortality with low-dose computed
1003 tomographic screening. *N Engl J Med*. 2011; 365(5):395-409.
- 1004 3. Yankelevitz DF, Reeves AP, Kostis WJ, Zhao B, Henschke CI. Small pulmonary nodules: volumetrically
1005 determined growth rates based on CT evaluation. *Radiology*. 2000; 217(1):251-6.
- 1006 4. Bolte H, Jahnke T, Schafer FK, et al. Interobserver-variability of lung nodule volumetry considering
1007 different segmentation algorithms and observer training levels. *Eur J Radiol*. 2007; 64(2):285-95.
- 1008 5. Gierada DS, Pilgram TK, Ford M, et al. Lung cancer: interobserver agreement on interpretation of
1009 pulmonary findings at low-dose CT screening. *Radiology*. 2008; 246(1):265-72.
- 1010 6. van Klaveren RJ, Oudkerk M, Prokop M, et al. Management of lung nodules detected by volume CT
1011 scanning. *N Engl J Med*. 2009; 361(23):2221-9.
- 1012 7. Singh S, Pinsky P, Fineberg NS, et al. Evaluation of reader variability in the interpretation of follow-up
1013 CT scans at lung cancer screening. *Radiology*. 2011; 259(1):263-70.
- 1014 8. Petrick N, Kim HJ, Clunie D, et al. Comparison of 1D, 2D, and 3D nodule sizing methods by radiologists
1015 for spherical and complex nodules on thoracic CT phantom images. *Acad Radiol*. 2014; 21(1):30-40.
- 1016 9. Mulshine JL, Gierada DS, Armato SG, 3rd, et al. Role of the Quantitative Imaging Biomarker Alliance in
1017 optimizing CT for the evaluation of lung cancer screen-detected nodules. *J Am Coll Radiol*. 2015;
1018 12(4):390-5.
- 1019 10. Das M, Muhlenbruch G, Katoh M, et al. Automated volumetry of solid pulmonary nodules in a
1020 phantom: accuracy across different CT scanner technologies. *Invest Radiol*. 2007; 42(5):297-302.
- 1021 11. Ravenel JG, Leue WM, Nietert PJ, Miller JV, Taylor KK, Silvestri GA. Pulmonary nodule volume: effects of
1022 reconstruction parameters on automated measurements--a phantom study. *Radiology*. 2008;
1023 247(2):400-8.
- 1024 12. Goo JM, Tongdee T, Tongdee R, Yeo K, Hildebolt CF, Bae KT. Volumetric measurement of synthetic lung
1025 nodules with multi-detector row CT: effect of various image reconstruction parameters and
1026 segmentation thresholds on measurement accuracy. *Radiology*. 2005; 235(3):850-6.
- 1027 13. Chen B, Barnhart H, Richard S, Colsher J, Amurao M, Samei E. Quantitative CT: technique dependence
1028 of volume estimation on pulmonary nodules. *Phys Med Biol*. 2012; 57(5):1335-48.
- 1029 14. Larici AR, Storto ML, Torge M, et al. Automated volumetry of pulmonary nodules on multidetector CT:
1030 influence of slice thickness, reconstruction algorithm and tube current. Preliminary results. *Radiol Med*.
1031 2008; 113(1):29-42.
- 1032 15. Xie X, Willemink MJ, de Jong PA, et al. Small irregular pulmonary nodules in low-dose CT: observer
1033 detection sensitivity and volumetry accuracy. *AJR Am J Roentgenol*. 2014; 202(3):W202-9.
- 1034 16. Willemink MJ, Leiner T, Budde RP, et al. Systematic error in lung nodule volumetry: effect of iterative
1035 reconstruction versus filtered back projection at different CT parameters. *AJR Am J Roentgenol*. 2012;
1036 199(6):1241-6.
- 1037 17. Wielputz MO, Lederlin M, Wroblewski J, et al. CT volumetry of artificial pulmonary nodules using an ex
1038 vivo lung phantom: influence of exposure parameters and iterative reconstruction on reproducibility.
1039 *Eur J Radiol*. 2013; 82(9):1577-83.
- 1040 18. Chen B, Barnhart H, Richard S, Robins M, Colsher J, Samei E. Volumetric quantification of lung nodules
1041 in CT with iterative reconstruction (ASiR and MBIR). *Med Phys*. 2013; 40(11):111902.
- 1042 19. Wormanns D, Kohl G, Klotz E, et al. Volumetric measurements of pulmonary nodules at multi-row
1043 detector CT: in vivo reproducibility. *Eur Radiol*. 2004; 14(1):86-92.

-
- 1044 20. Goodman LR, Gulsun M, Washington L, Nagy PG, Piacsek KL. Inherent variability of CT lung nodule
1045 measurements in vivo using semiautomated volumetric measurements. *AJR Am J Roentgenol.* 2006;
1046 186(4):989-94.
- 1047 21. Gietema HA, Schaefer-Prokop CM, Mali WP, Groenewegen G, Prokop M. Pulmonary nodules: Interscan
1048 variability of semiautomated volume measurements with multisection CT-- influence of inspiration
1049 level, nodule size, and segmentation performance. *Radiology.* 2007; 245(3):888-94.
- 1050 22. Rampinelli C, De Fiori E, Raimondi S, Veronesi G, Bellomi M. In vivo repeatability of automated volume
1051 calculations of small pulmonary nodules with CT. *AJR Am J Roentgenol.* 2009; 192(6):1657-61.
- 1052 23. de Hoop B, Gietema H, van Ginneken B, Zanen P, Groenewegen G, Prokop M. A comparison of six
1053 software packages for evaluation of solid lung nodules using semi-automated volumetry: what is the
1054 minimum increase in size to detect growth in repeated CT examinations. *Eur Radiol.* 2009; 19(4):800-8.
- 1055 24. Marchiano A, Calabro E, Civelli E, et al. Pulmonary nodules: volume repeatability at multidetector CT
1056 lung cancer screening. *Radiology.* 2009; 251(3):919-25.
- 1057 25. Ko JP, Berman EJ, Kaur M, et al. Pulmonary Nodules: growth rate assessment in patients by using serial
1058 CT and three-dimensional volumetry. *Radiology.* 2012; 262(2):662-71.
- 1059 26. Henschke CI, Yankelevitz DF, Yip R, et al. Tumor volume measurement error using computed
1060 tomography imaging in a phase II clinical trial in lung cancer. *J Med Imaging (Bellingham).* 2016;
1061 3(3):035505.
- 1062 27. Das M, Ley-Zaporozhan J, Gietema HA, et al. Accuracy of automated volumetry of pulmonary nodules
1063 across different multislice CT scanners. *Eur Radiol.* 2007; 17(8):1979-84.
- 1064 28. Coenen A, Honda O, van der Jagt EJ, Tomiyama N. Computer-assisted solid lung nodule 3D volumetry
1065 on CT: influence of scan mode and iterative reconstruction: a CT phantom study. *Jpn J Radiol.* 2013;
1066 31(10):677-84.
- 1067 29. ACR-STR. ACR-STR practice parameter for the performance and reporting of lung cancer screening
1068 thoracic computed tomography (CT). 2014.
- 1069 30. Honda O, Johkoh T, Sumikawa H, et al. Pulmonary nodules: 3D volumetric measurement with
1070 multidetector CT--effect of intravenous contrast medium. *Radiology.* 2007; 245(3):881-7.
- 1071 31. Rampinelli C, Raimondi S, Padrenostro M, et al. Pulmonary nodules: Contrast-enhanced volumetric
1072 variation at different CT scan delays. *AJR Am J Roentgenol.* 2010; 195(1):149-54.
- 1073 32. Toth T, Ge Z, Daly MP. The influence of patient centering on CT dose and image noise. *Med Phys.* 2007;
1074 34(7):3093-101.
- 1075 33. Kaasalainen T, Palmu K, Reijonen V, Kortensniemi M. Effect of patient centering on patient dose and
1076 image noise in chest CT. *AJR Am J Roentgenol.* 2014; 203(1):123-30.
- 1077 34. Goo JM, Kim KG, Gierada DS, Castro M, Bae KT. Volumetric measurements of lung nodules with multi-
1078 detector row CT: effect of changes in lung volume. *Korean J Radiol.* 2006; 7(4):243-8.
- 1079 35. Petkovska I, Brown MS, Goldin JG, et al. The effect of lung volume on nodule size on CT. *Acad Radiol.*
1080 2007; 14(4):476-85.
- 1081 36. Nietert PJ, Ravenel JG, Leue WM, et al. Imprecision in automated volume measurements of pulmonary
1082 nodules and its effect on the level of uncertainty in volume doubling time estimation. *Chest.* 2009;
1083 135(6):1580-7.
- 1084 37. Gavrielides MA, Zeng R, Myers KJ, Sahiner B, Petrick N. Benefit of overlapping reconstruction for
1085 improving the quantitative assessment of CT lung nodule volume. *Acad Radiol.* 2013; 20(2):173-80.
- 1086 38. Willeminck MJ, de Jong PA, Leiner T, et al. Iterative reconstruction techniques for computed
1087 tomography Part 1: technical principles. *Eur Radiol.* 2013; 23(6):1623-31.
- 1088 39. Willeminck MJ, Borstlap J, Takx RA, et al. The effects of computed tomography with iterative
1089 reconstruction on solid pulmonary nodule volume quantification. *PLoS One.* 2013; 8(2):e58053.

- 1090 40. Revel MP, Lefort C, Bissery A, et al. Pulmonary nodules: preliminary experience with three-dimensional
1091 evaluation. *Radiology*. 2004; 231(2):459-66.
- 1092 41. Petrou M, Quint LE, Nan B, Baker LH. Pulmonary nodule volumetric measurement variability as a
1093 function of CT slice thickness and nodule morphology. *AJR Am J Roentgenol*. 2007; 188(2):306-12.
- 1094 42. Wang Y, van Klaveren RJ, van der Zaag-Loonen HJ, et al. Effect of nodule characteristics on variability of
1095 semiautomated volume measurements in pulmonary nodules detected in a lung cancer screening
1096 program. *Radiology*. 2008; 248(2):625-31.
- 1097 43. Hein PA, Romano VC, Rogalla P, et al. Linear and volume measurements of pulmonary nodules at
1098 different CT dose levels - intrascan and interscan analysis. *Rofo*. 2009; 181(1):24-31.
- 1099 44. Hein PA, Romano VC, Rogalla P, et al. Variability of semiautomated lung nodule volumetry on ultralow-
1100 dose CT: comparison with nodule volumetry on standard-dose CT. *J Digit Imaging*. 2010; 23(1):8-17.
- 1101 45. Gietema HA, Wang Y, Xu D, et al. Pulmonary nodules detected at lung cancer screening: interobserver
1102 variability of semiautomated volume measurements. *Radiology*. 2006; 241(1):251-7.
- 1103 46. Wang GE, Skinner MW, Vannier MW. Temporal Bone Volumetric Image Deblurring in Spiral Computed
1104 Tomography Scanning. *Academic Radiology*. 1995; 2:888-895.
- 1105
1106

1107 Additional References

- 1108
- 1109 47. Gavrielides MA, Li Q, Zeng R, Myers KJ, Sahiner B, Petrick N. Minimum detectable change in lung
1110 nodule volume in a phantom CT study. *Acad Radiol*. 2013; 20(11):1364-70.
- 1111 48. Bolte H, Riedel C, Jahnke T, et al. Reproducibility of computer-aided volumetry of artificial small
1112 pulmonary nodules in ex vivo porcine lungs. *Invest Radiol*. 2006; 41(1):28-35.
- 1113 49. Bolte H, Riedel C, Muller-Hulsbeck S, et al. Precision of computer-aided volumetry of artificial small
1114 solid pulmonary nodules in ex vivo porcine lungs. *Br J Radiol*. 2007; 80(954):414-21.
- 1115 50. Wang Y, de Bock GH, van Klaveren RJ, et al. Volumetric measurement of pulmonary nodules at low-
1116 dose chest CT: effect of reconstruction setting on measurement variability. *Eur Radiol*. 2010;
1117 20(5):1180-7.
- 1118 51. Bolte H, Riedel C, Knoss N, et al. Computed tomography-based lung nodule volumetry--do optimized
1119 reconstructions of routine protocols achieve similar accuracy, reproducibility and interobserver
1120 variability to that of special volumetry protocols? *Rofo*. 2007; 179(3):276-81.
- 1121 52. de Jong PA, Leiner T, Lammers JW, Gietema HA. Can low-dose unenhanced chest CT be used for follow-
1122 up of lung nodules? *AJR Am J Roentgenol*. 2012; 199(4):777-80.
- 1123 53. Christe A, Torrente JC, Lin M, et al. CT screening and follow-up of lung nodules: effects of tube current-
1124 time setting and nodule size and density on detectability and of tube current-time setting on apparent
1125 size. *AJR Am J Roentgenol*. 2011; 197(3):623-30.
- 1126 54. Honda O, Sumikawa H, Johkoh T, et al. Computer-assisted lung nodule volumetry from multi-detector
1127 row CT: influence of image reconstruction parameters. *Eur J Radiol*. 2007; 62(1):106-13.
- 1128 55. Young S, Kim HJ, Ko MM, Ko WW, Flores C, McNitt-Gray MF. Variability in CT lung-nodule volumetry:
1129 Effects of dose reduction and reconstruction methods. *Med Phys*. 2015; 42(5):2679-89.
- 1130 56. Ashraf H, de Hoop B, Shaker SB, et al. Lung nodule volumetry: segmentation algorithms within the
1131 same software package cannot be used interchangeably. *Eur Radiol*. 2010; 20(8):1878-85.
- 1132 57. Christe A, Bronnimann A, Vock P. Volumetric analysis of lung nodules in computed tomography (CT):
1133 comparison of two different segmentation algorithm softwares and two different reconstruction filters
1134 on automated volume calculation. *Acta Radiol*. 2014; 55(1):54-61.
- 1135 58. Zhao YR, Ooijen PM, Dorrius MD, et al. Comparison of three software systems for semi-automatic

- 1136 volumetry of pulmonary nodules on baseline and follow-up CT examinations. *Acta Radiol.* 2013;
 1137 55(6):691-8.
- 1138 59. Gavrielides MA, Kinnard LM, Myers KJ, Petrick N. Noncalcified lung nodules: volumetric assessment
 1139 with thoracic CT. *Radiology.* 2009; 251(1):26-37.
- 1140 60. Marten K, Engelke C. Computer-aided detection and automated CT volumetry of pulmonary nodules.
 1141 *Eur Radiol.* 2007; 17(4):888-901.
- 1142 61. Boll DT, Gilkeson RC, Fleiter TR, Blackham KA, Duerk JL, Lewin JS. Volumetric assessment of pulmonary
 1143 nodules with ECG-gated MDCT. *AJR Am J Roentgenol.* 2004; 183(5):1217-23.

1144

1145 **Appendices**

1146 **Appendix A: Acknowledgements and Attributions**

1147 This document is proffered by the Radiological Society of North America (RSNA) Lung Nodule Volume
 1148 Assessment and Monitoring in Low Dose CT Screening Working Group of the Volumetric Computed
 1149 Tomography (v-CT) Technical Committee. The group is composed of scientists representing academia, the
 1150 imaging device manufacturers, image analysis tool software developers, image analysis laboratories,
 1151 biopharmaceutical industry, government research organizations, professional societies, and regulatory
 1152 agencies, among others. All work is classified as pre-competitive.

1153 A more detailed description of the SLN committee and its work can be found at the following web link:
 1154 [QIBA Small Lung Nodule Profile Wiki page](#).

1155 The CT Small Lung Nodule Volume Assessment and Monitoring in Low Dose CT Screening Committee (in
 1156 alphabetical order):

1157	Denise Aberle, MD	University of California, Los Angeles (UCLA)
1158	Samuel G. Armato III, PhD	University of Chicago
1159	Ricardo Avila, MS	Accumetra, LLC
1160	Roshni Bhagalia, PhD	GE Global Research
1161	Matthew Blum, MD, FACS	University of Colorado Health
1162	Kirsten L. Boedeker, PhD	Toshiba Medical Research Institute-USA, Inc.
1163	Andrew J. Buckler, MS	Elucid Bioimaging Inc.
1164	Paul L. Carson, PhD	University of Michigan Medical Center
1165	Dominic Crotty, PhD	GE Healthcare
1166	Harry de Koning, MD, PhD	Erasmus University Medical Center
1167	Ekta N. Dharaiya, MS	Philips Healthcare
1168	Les Folio, DO, MPH	National Institutes of Health (NIH)
1169	Matthew Fuld, PhD	Siemens AG Healthcare
1170	Kavita Garg, MD	University of Colorado, Denver
1171	David S. Gierada, MD	Washington University, Mallinckrodt Institute of Radiology
1172	Fergus Gleeson, MBBS	Churchill Hospital--Headington, (Oxford, UK) / British Society of
1173		Thoracic Imaging
1174	Gregory V. Goldmacher, MD, PhD, MBA	Merck

1175	Jin Mo Goo, MD, PhD	Seoul National University Hospital (South Korea)
1176	Tomasz Grodzki, MD, FETCS	Regional Hospital for Lung Diseases/European Society of Thoracic Surgeons (Poland)
1177		
1178	Bernice E. Hoppel, PhD	Toshiba Medical Research Institute USA, Inc.
1179	Edward F. Jackson, PhD	University of Wisconsin, School of Medicine & Public Health
1180	Philip F. Judy, PhD	Harvard-Brigham and Women's Hospital
1181	Ella A. Kazerooni, MD	University of Michigan
1182	David A. Lynch, MD	National Jewish Health
1183	Ashkan A. Malayeri, MD	NIH/CC/DRD
1184	Theresa C. McCloud, MD	Massachusetts General Hospital/Society for Thoracic Radiology
1185	Michael McNitt-Gray, PhD	University of California, Los Angeles (UCLA)
1186	Steve Metz, PhD	Philips
1187	James L. Mulshine, MD	Rush University Medical Center
1188	Reginald Munden, MD, DMD, MBA	Houston Methodist Hospital-Physician Organization
1189	Nancy Obuchowski, PhD	Cleveland Clinic Foundation
1190	Michael O'Connor, MBA, PhD	PAREXEL International
1191	Matthijs Oudkerk, MD, PhD	University Medical Center Groningen (the Netherlands)
1192	Eric S. Perlman, MD	Perlman Advisory Group, LLC
1193	Mathias Prokop, MD, PhD	Radboud University Medical Center (Nijmegen, the Netherlands)
1194	James G. Ravenel, MD	Medical University of South Carolina
1195	Anthony P. Reeves, PhD	Cornell University
1196	Marthony Robins, PhD	Duke University
1197	Ehsan Samei, PhD	Duke University
1198	Lawrence H. Schwartz, MD	New York Presbyterian Hospital/Columbia University Medical Center
1199	Jenifer Siegelman, MD, MPH	Harvard Medical School Brigham and Women's Hospital
1200	Mario Silva, MD	University of Parma (Italy)
1201	Gary Smith, MD	Vanderbilt University
1202	Daniel C. Sullivan, MD	Duke University
1203	Rozemarijn Vliegenthart, MD, PhD	University Medical Center Groningen (the Netherlands)
1204	David F. Yankelevitz, MD	Mount Sinai Hospital
1205	Lifeng Yu, PhD	Mayo Clinic

1206 The Lung Nodule Volume Assessment and Monitoring in Low Dose CT Screening Working Group is deeply
 1207 grateful for the support and technical assistance provided by the staff of the Radiological Society of North
 1208 America:

1209	Fiona Miller, Director	Department of Research
1210	Joseph Koudelik, Assistant Director	Scientific Affairs, Department of Research
1211	Julie Lisiecki, Manager	Scientific Affairs, Department of Research
1212	Susan Weinmann, Senior Administrative Assistant	Department of Research

1213

1214 **Appendix B: Background Information**

1215

1216 **B.1 Summary of selected references on nodule volumetry accuracy**

1217 [http://qibawiki.rsna.org/index.php/Work Product for Review](http://qibawiki.rsna.org/index.php/Work_Product_for_Review)

1218

1219 **B.2 Summary of selected references on nodule volumetry precision**

1220 [http://qibawiki.rsna.org/index.php/Work Product for Review](http://qibawiki.rsna.org/index.php/Work_Product_for_Review)

1221

1222 **Appendix C: Metrology Methods**

1223 Obuchowski NA, Buckler A, Kinahan PE, Chen-Mayer H, Petrick N, Barboriak DP, Bullen J, Barnhart H,
1224 Sullivan DC. Statistical Issues in Testing Conformance with the Quantitative Imaging Biomarker Alliance
1225 (QIBA) Profile Claims. Academic Radiology in press.

1226 Kessler LG, Barnhart HX, Buckler AJ, et al. The emerging science of quantitative imaging biomarkers:
1227 terminology and definitions for scientific studies and for regulatory submissions. SMMR 2015; 24: 9-26.

1228
1229 Raunig D, McShane LM, Pennello G, et al. Quantitative imaging biomarkers: a 235 review of statistical
1230 methods for technical performance assessment. SMMR 2015; 24: 27- 67.

1231
1232 Obuchowski NA, Reeves AP, Huang EP, et al. Quantitative Imaging Biomarkers: A Review of Statistical
1233 Methods for Computer Algorithm Comparisons. SMMR 2015; 24: 240 68-106.

1234
1235